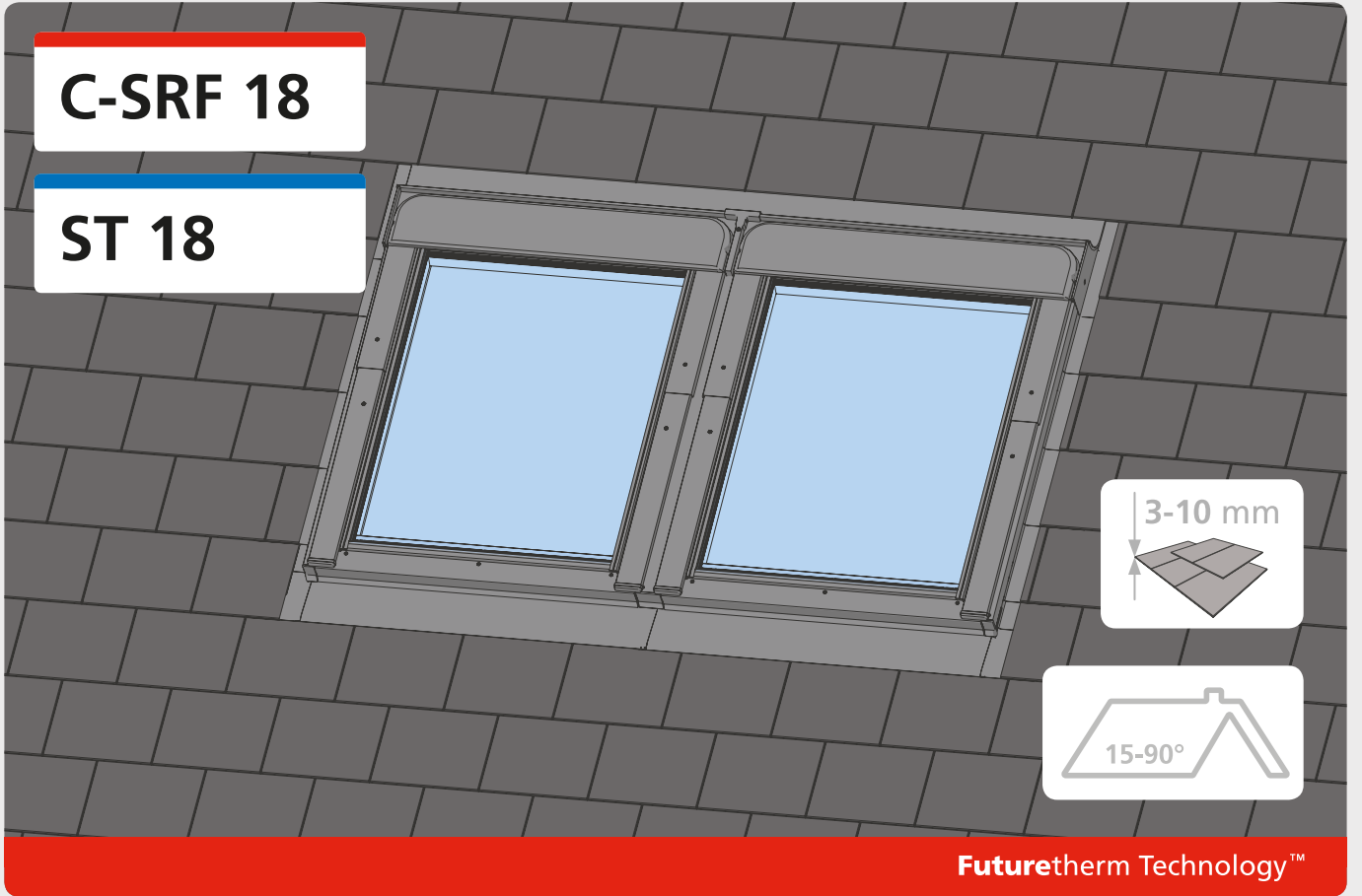


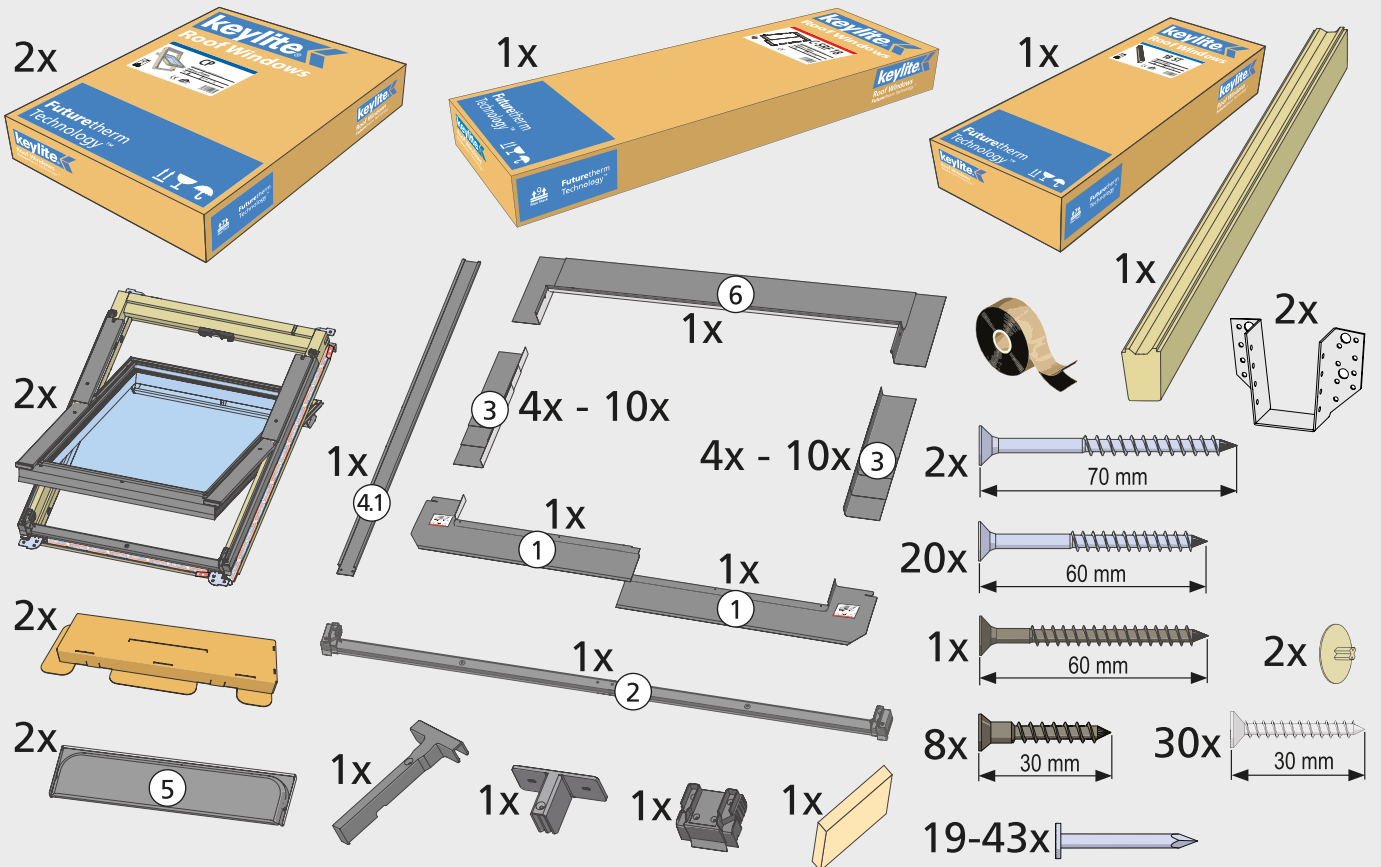


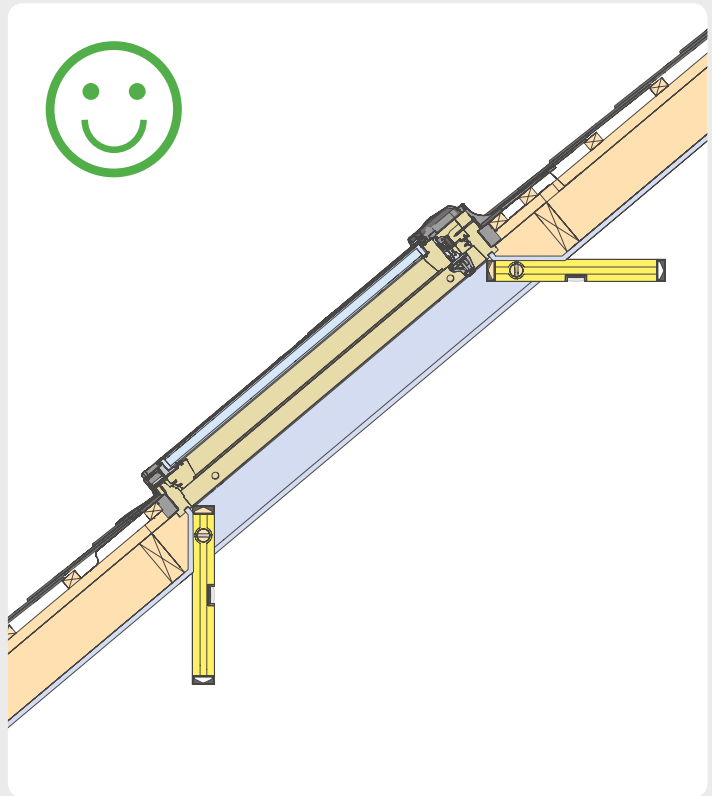
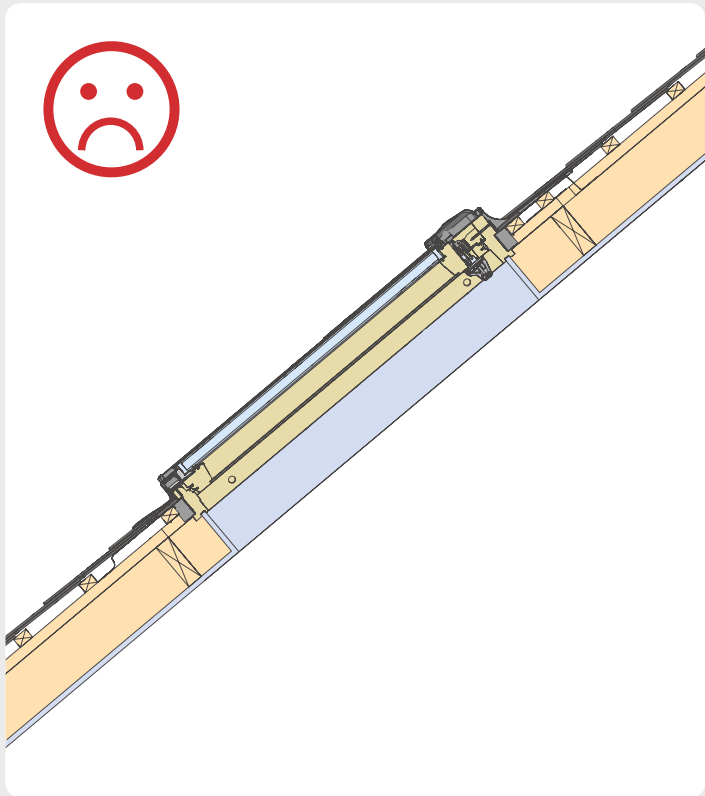
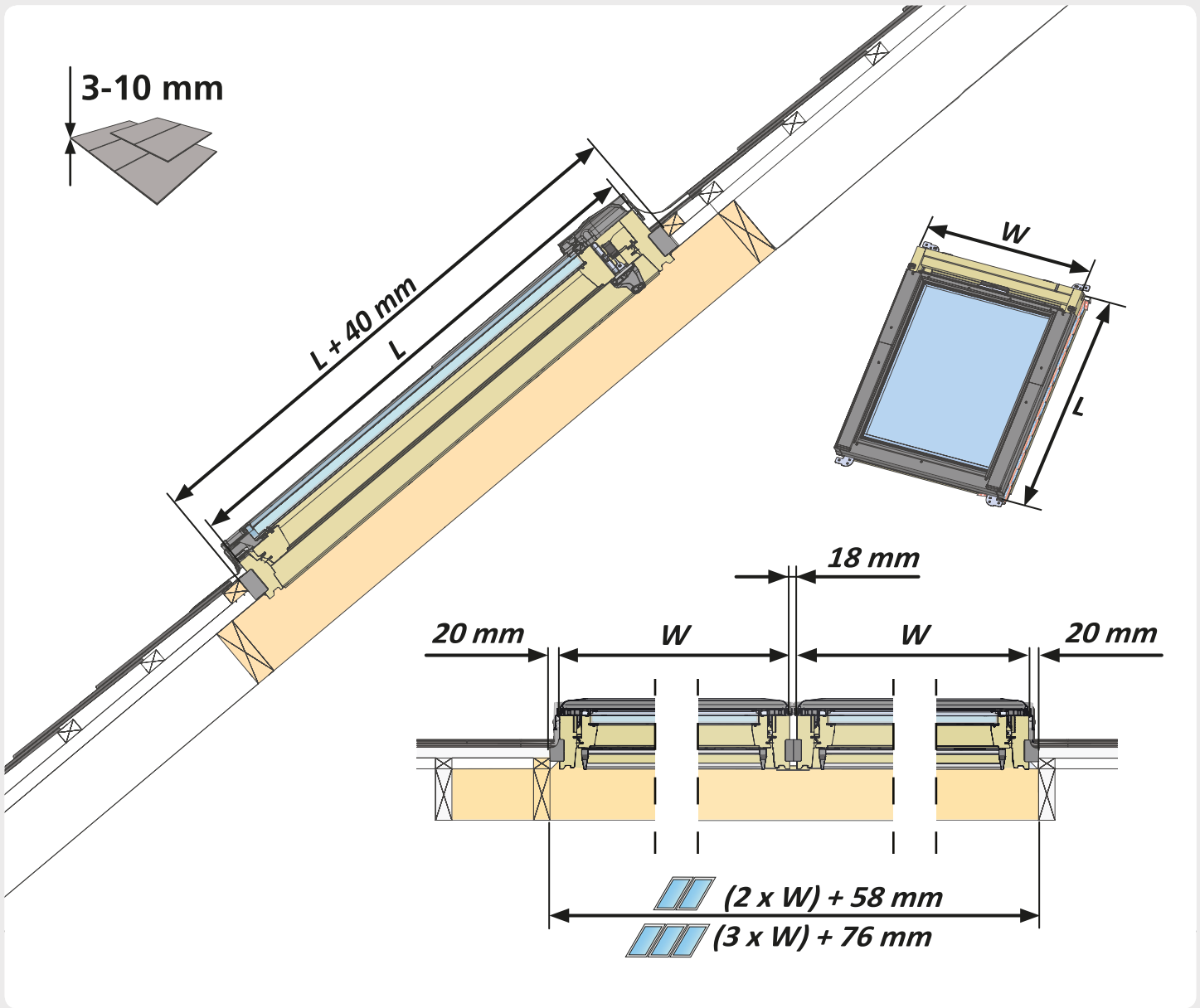
C-SRF 18

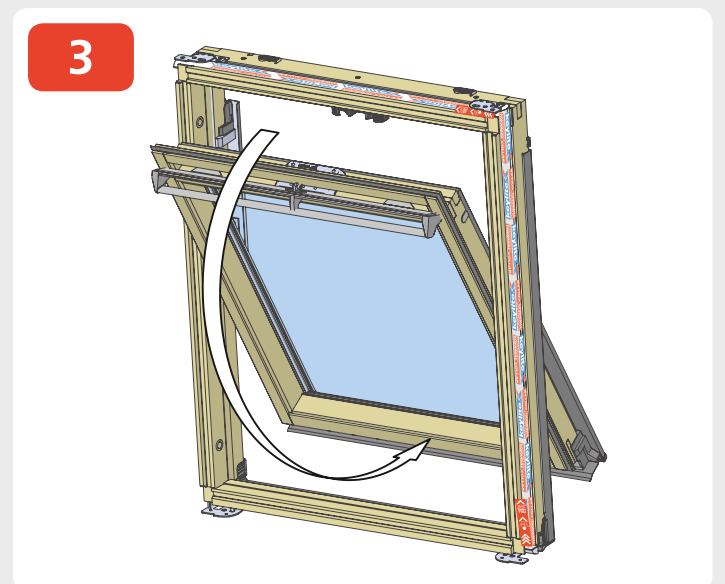
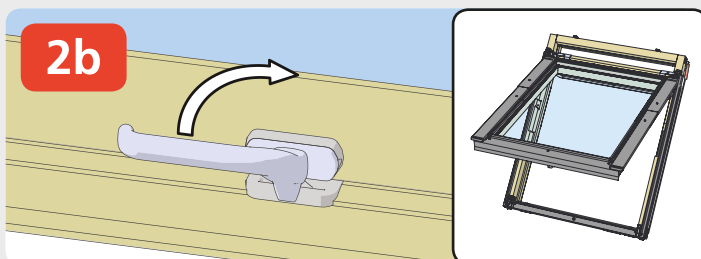
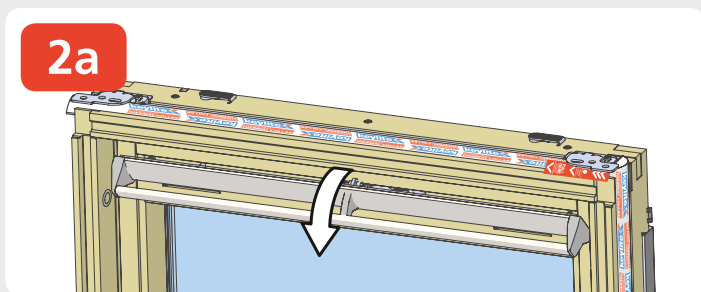
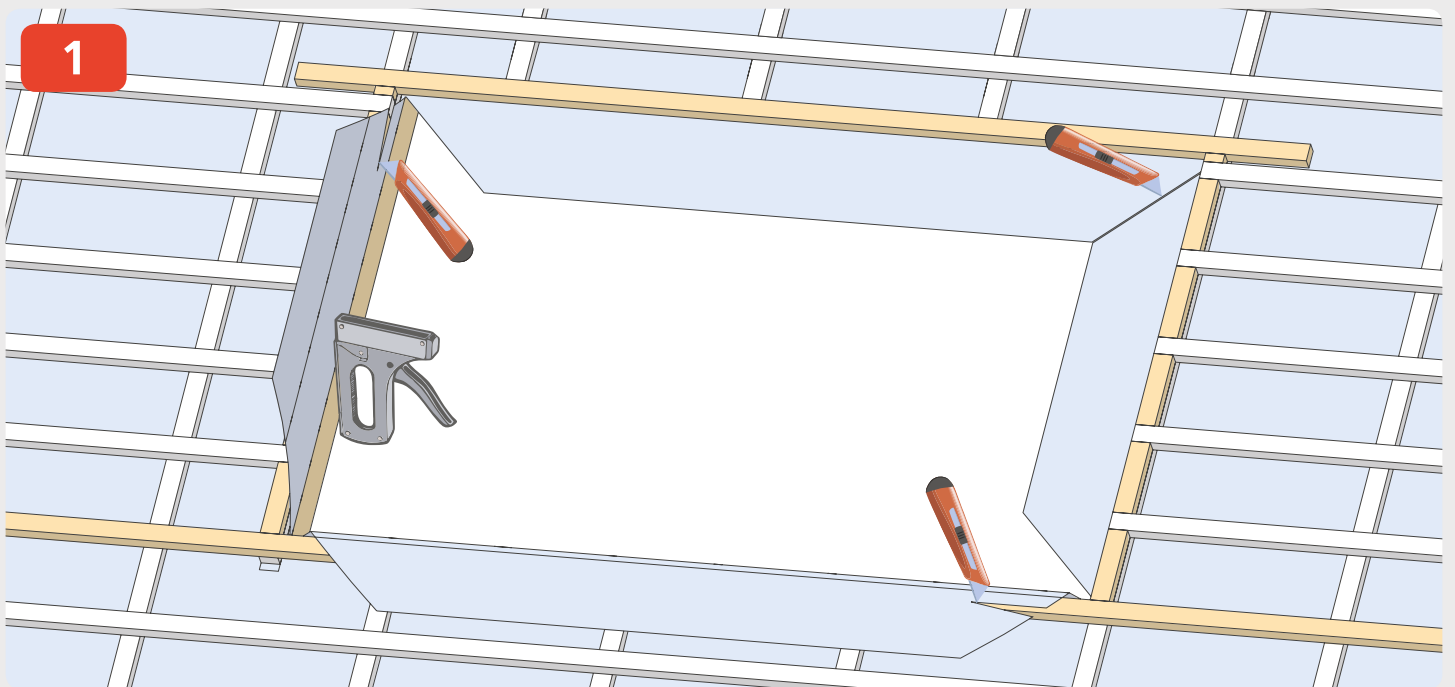
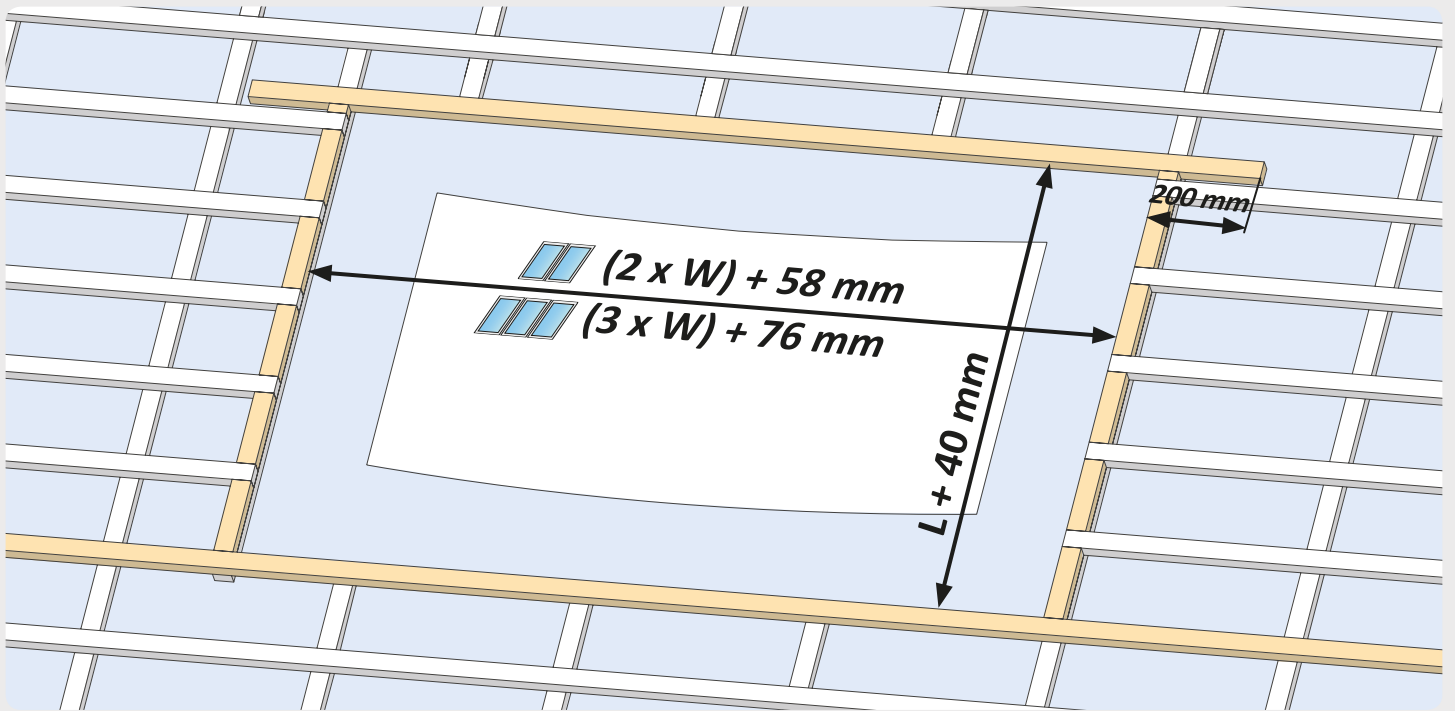
ST 18



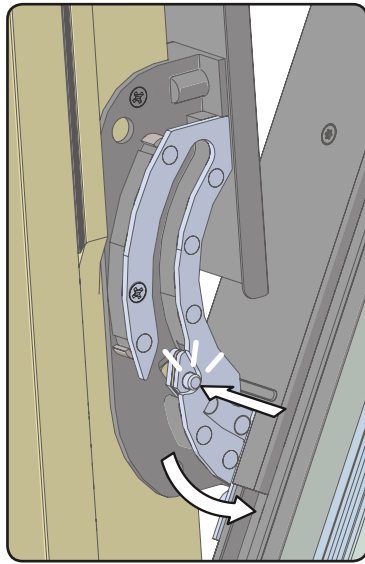
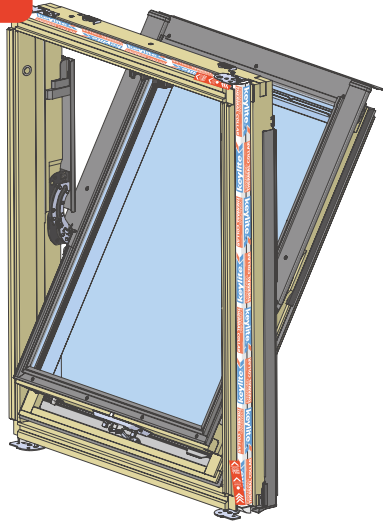
Futuretherm Technology™



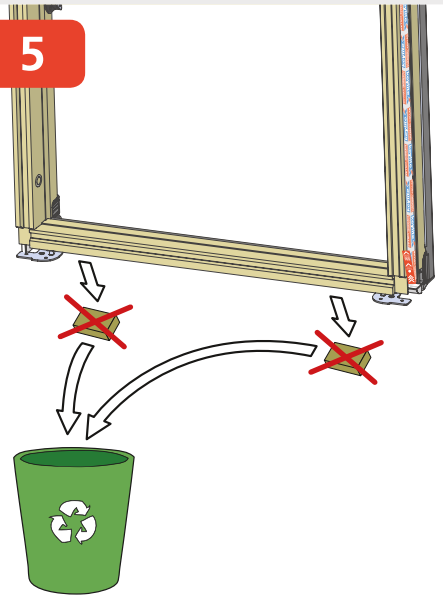




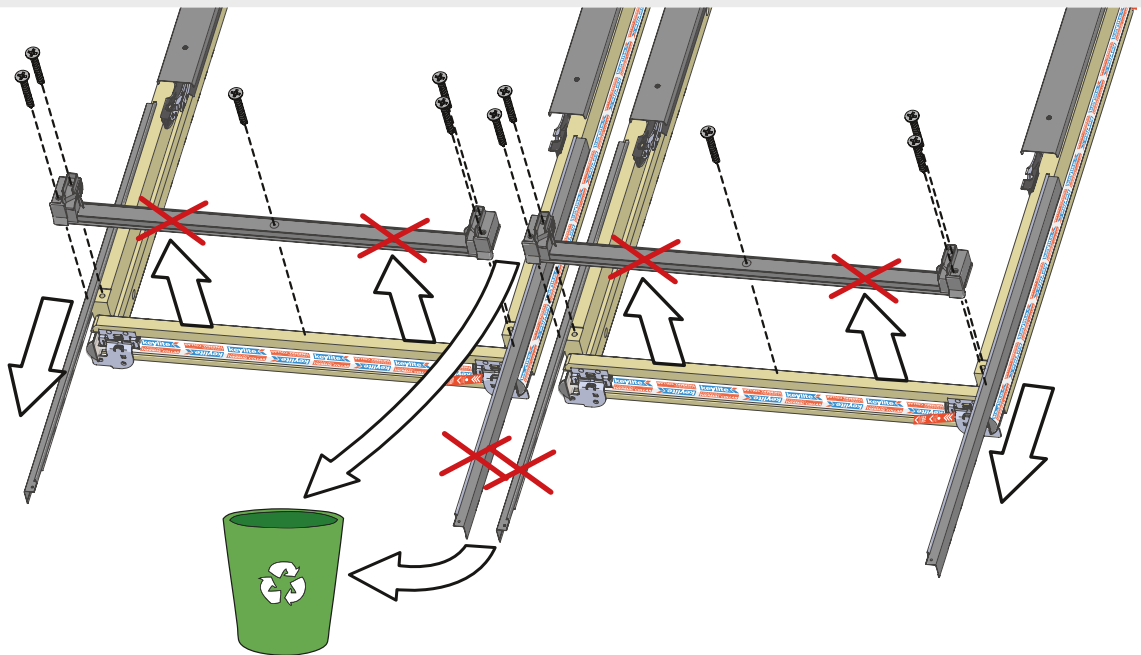
4



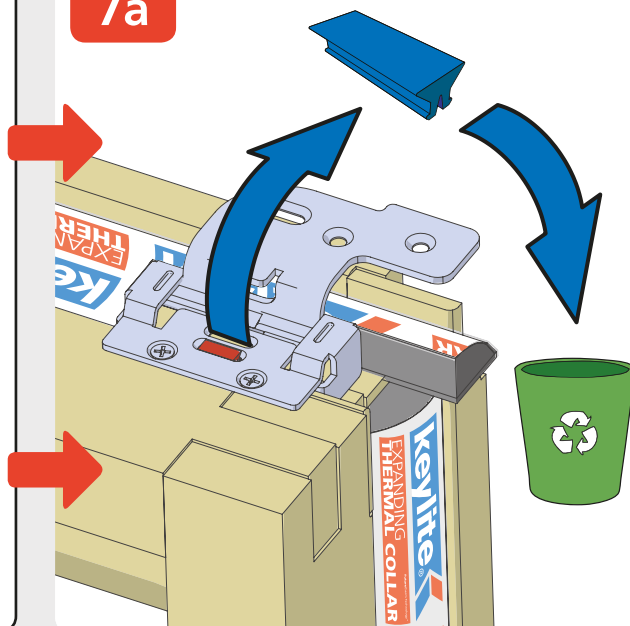
5



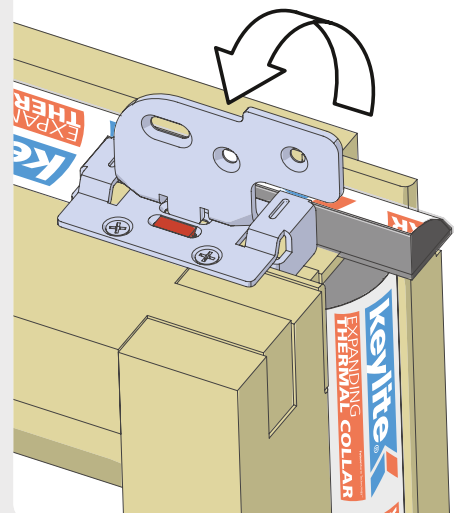
6



7a

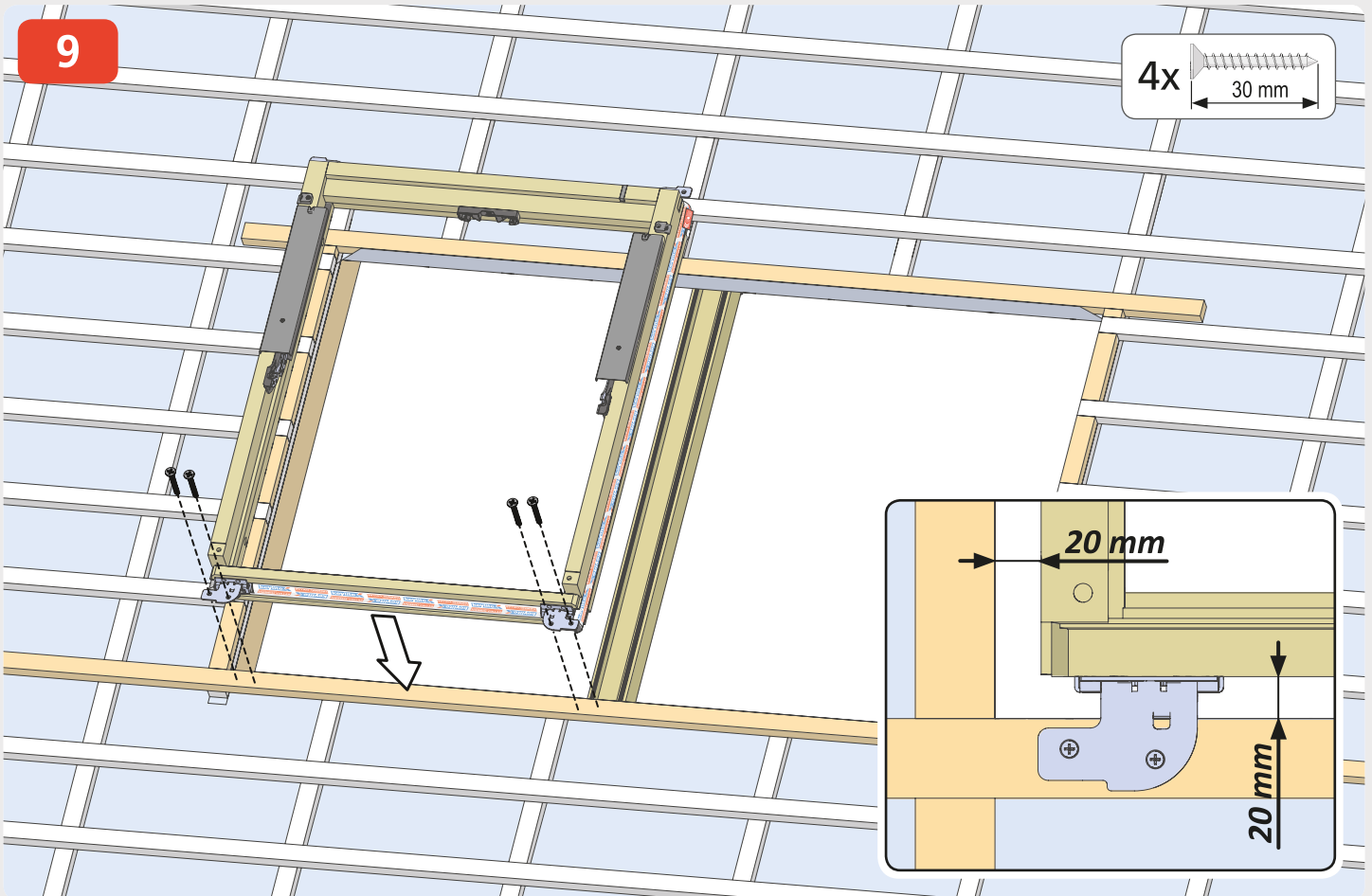
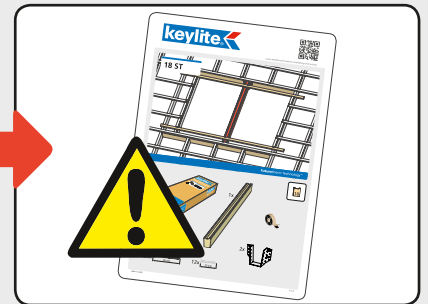
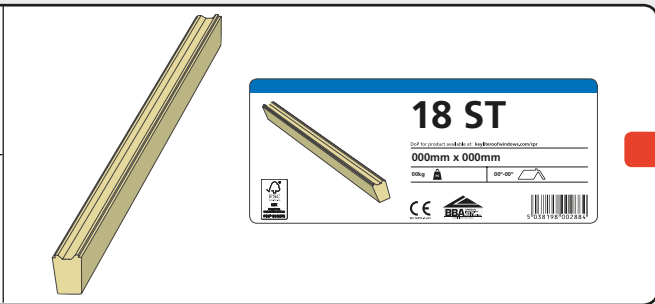
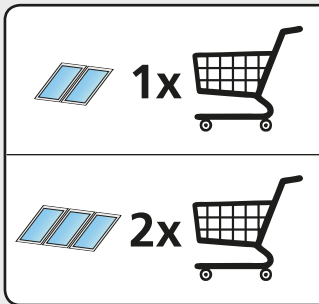
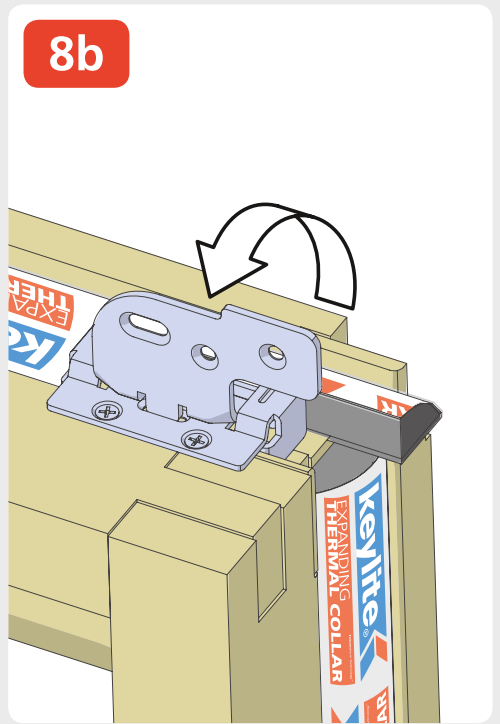
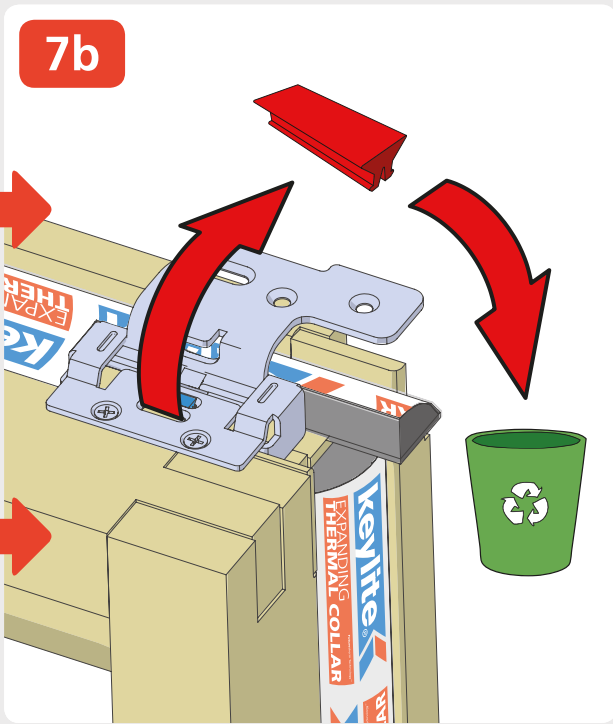
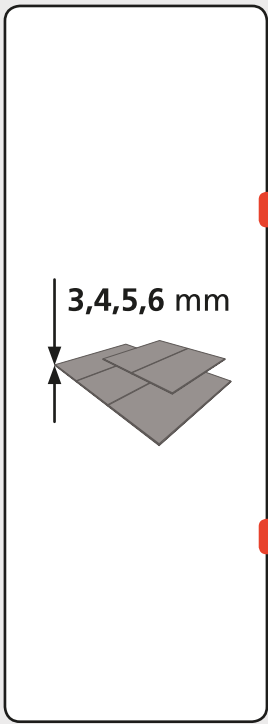


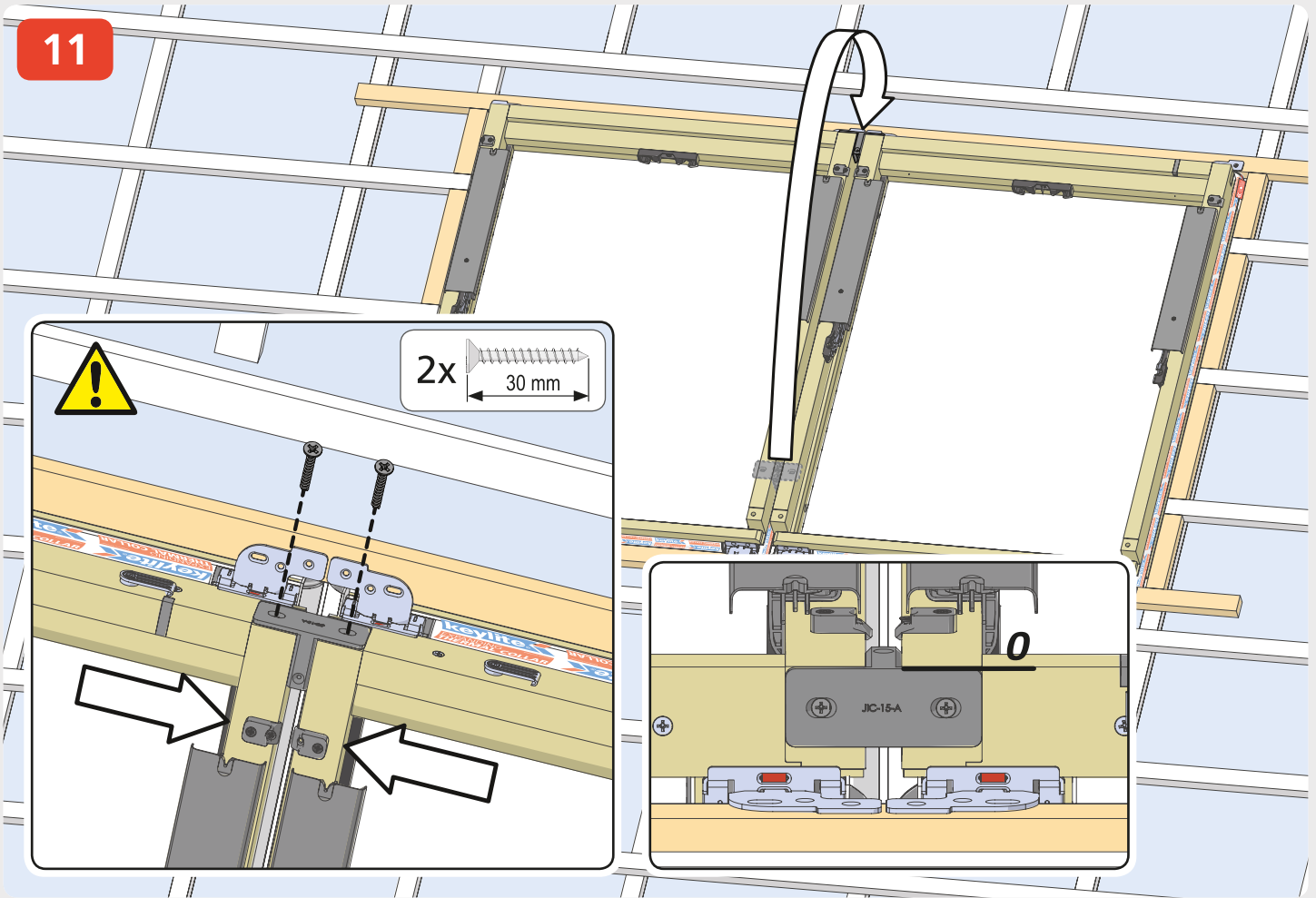
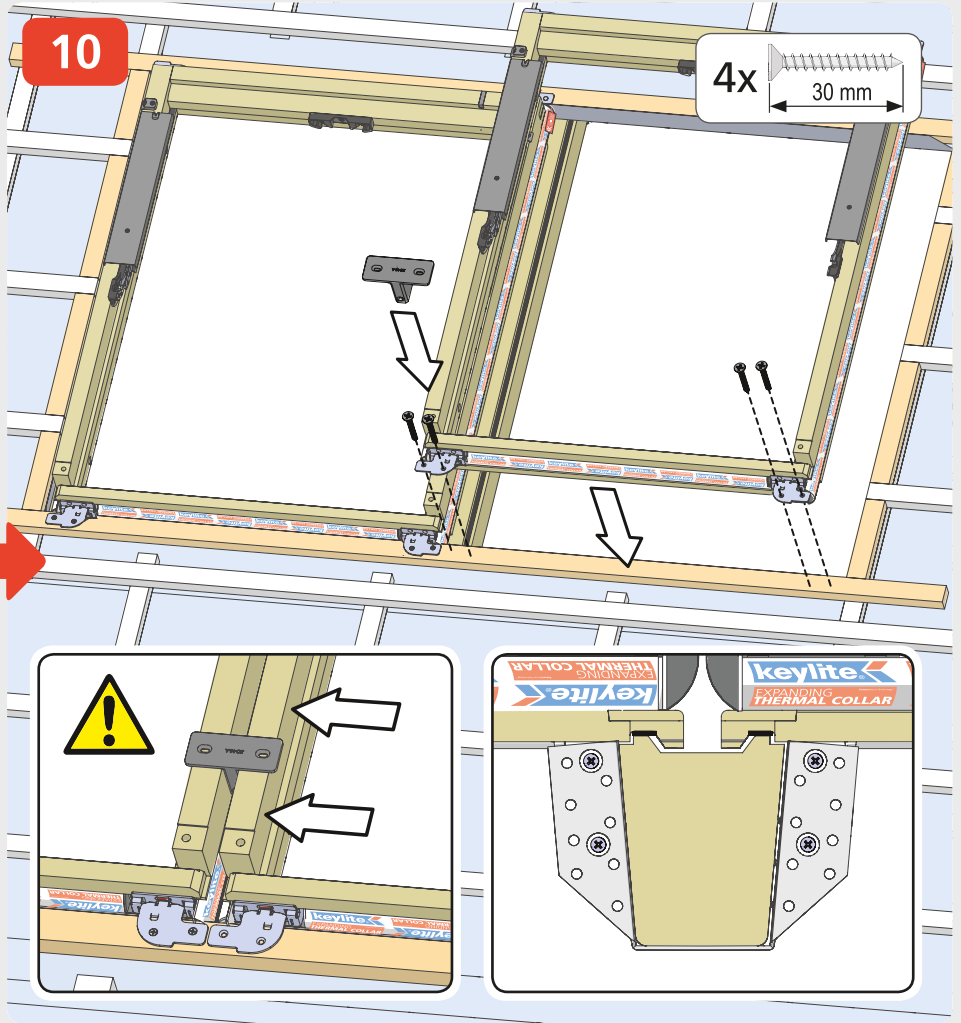
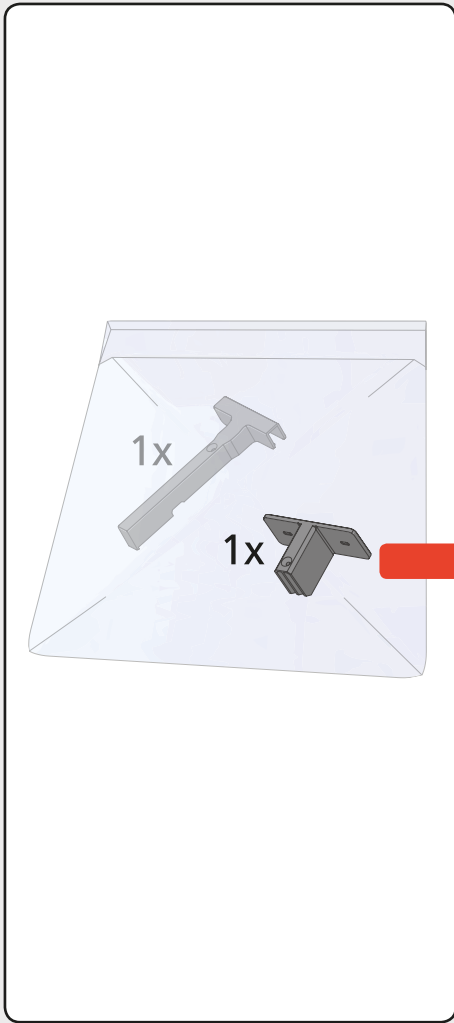
8a



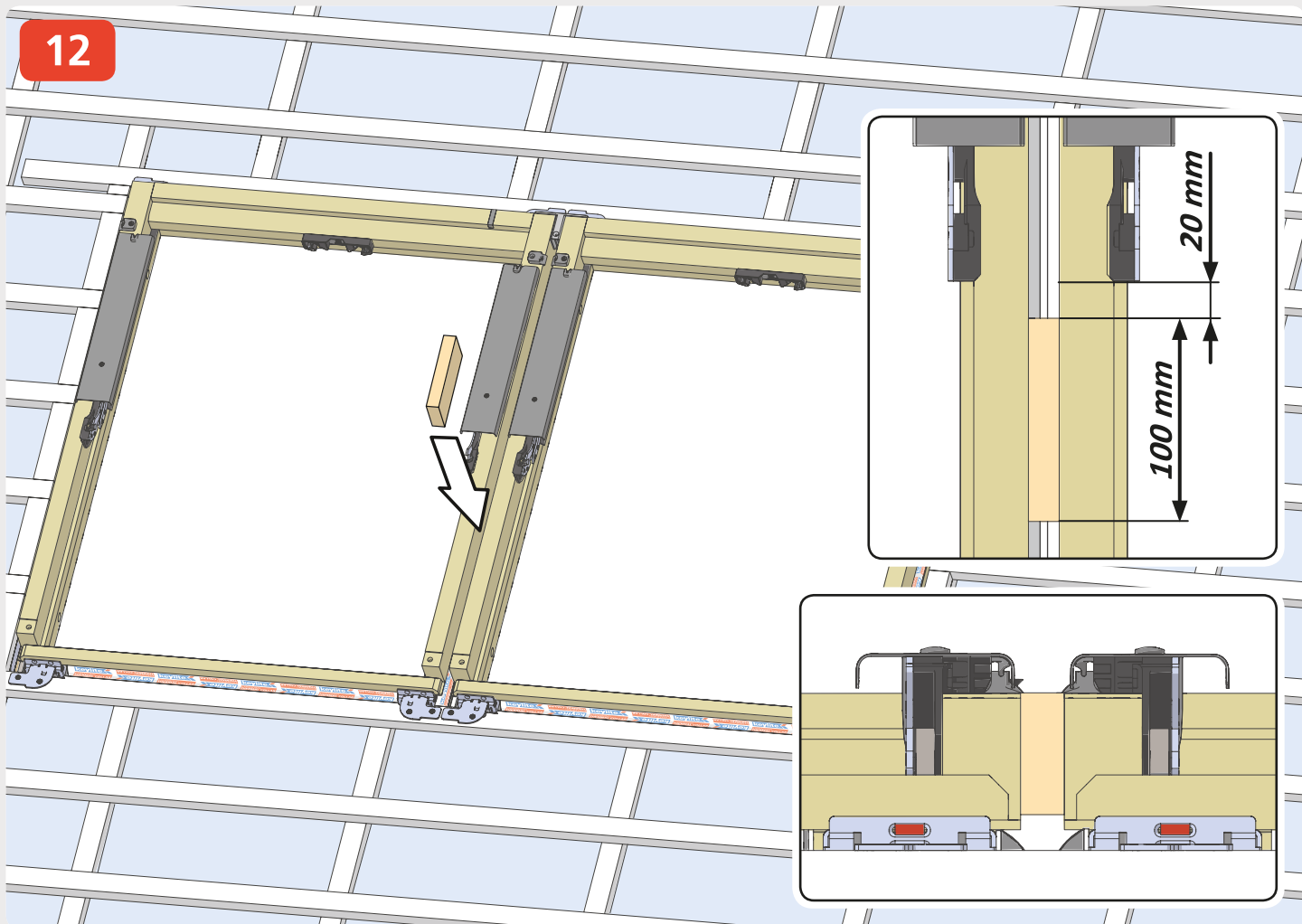
7,8,9,10 mm

 A diagram showing a component with a thickness of 7,8,9,10 mm. A double-headed arrow indicates the thickness.

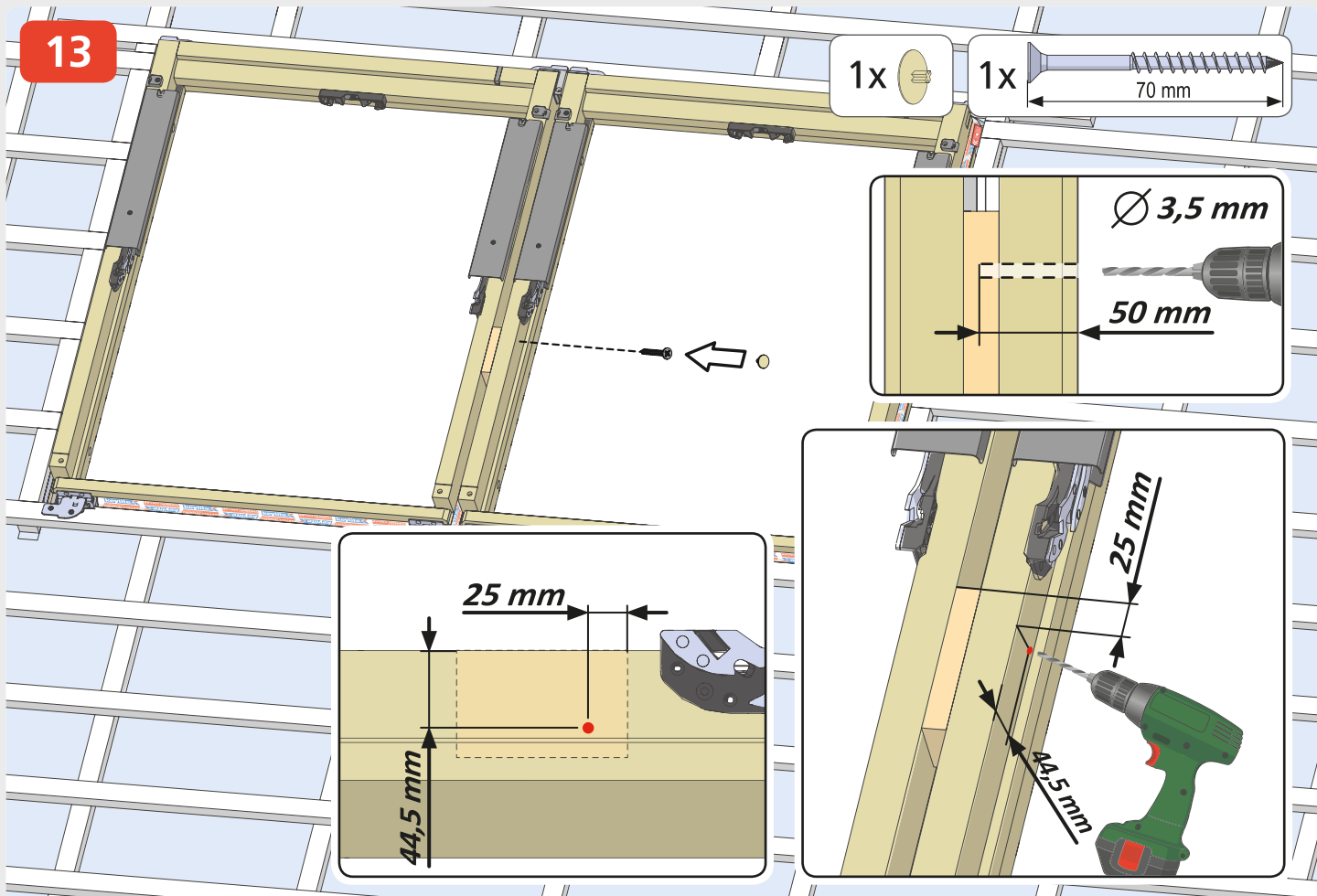




12



13



14

1x



1x



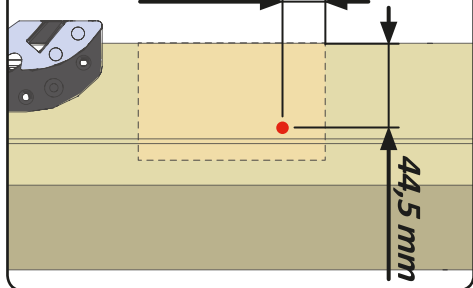
70 mm

Ø 3,5 mm



50 mm

25 mm



44,5 mm

44,5 mm

25 mm

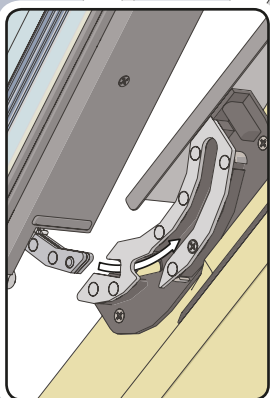


15

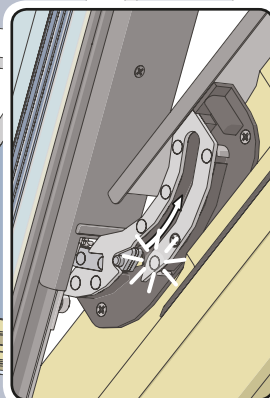


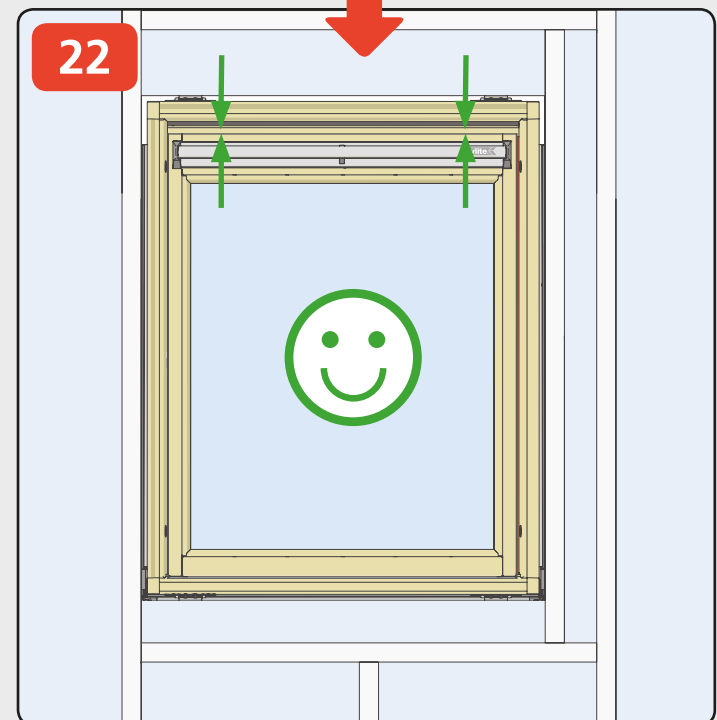
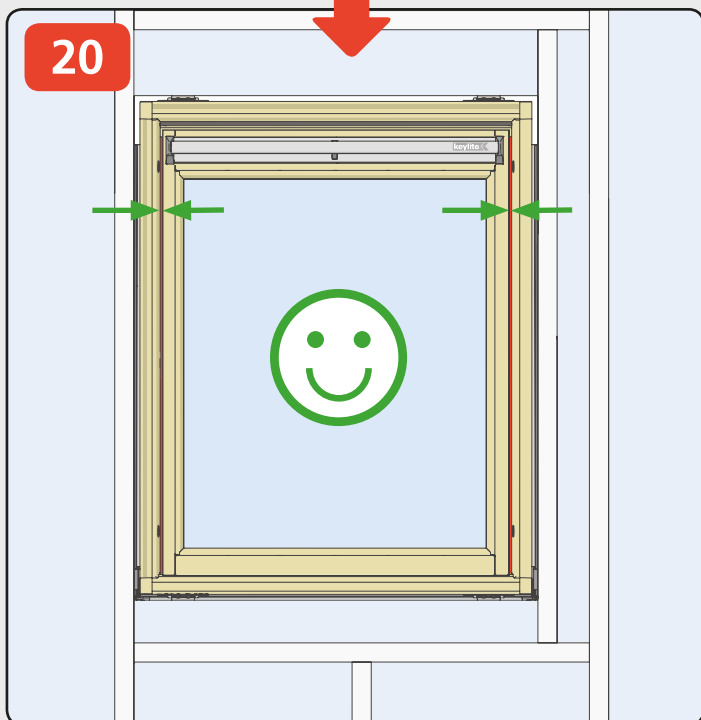
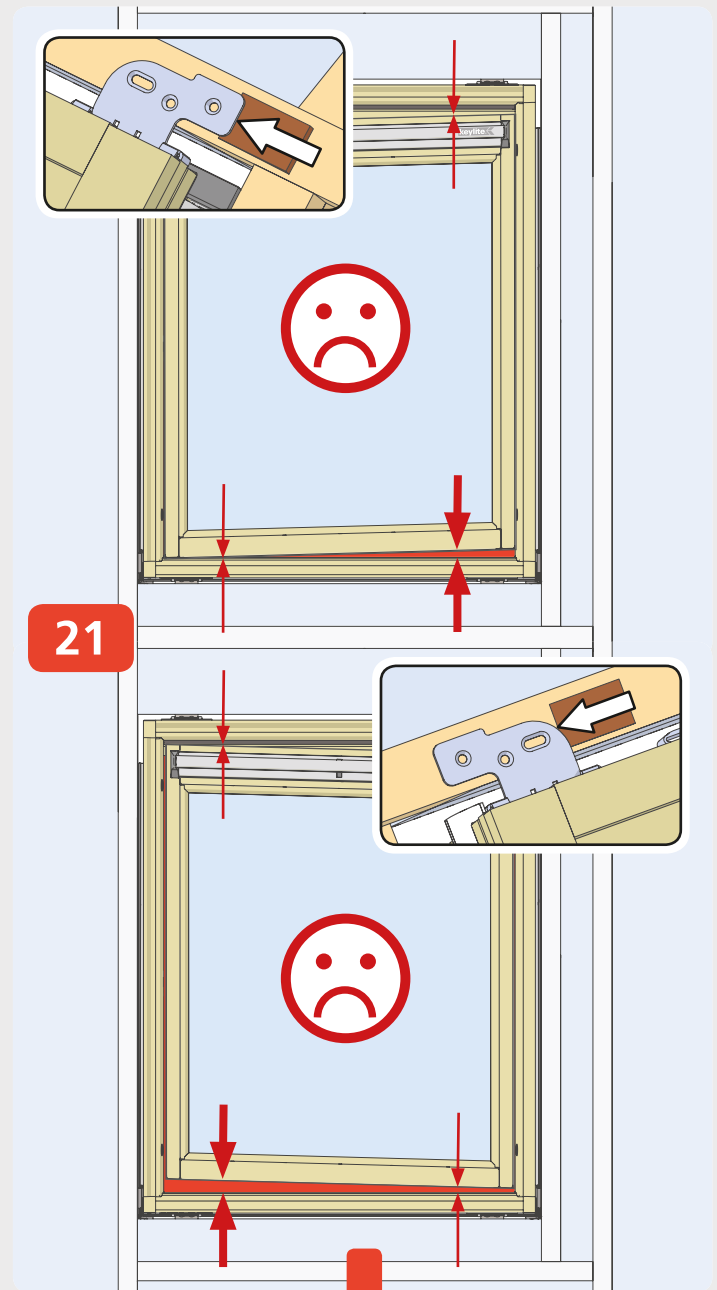
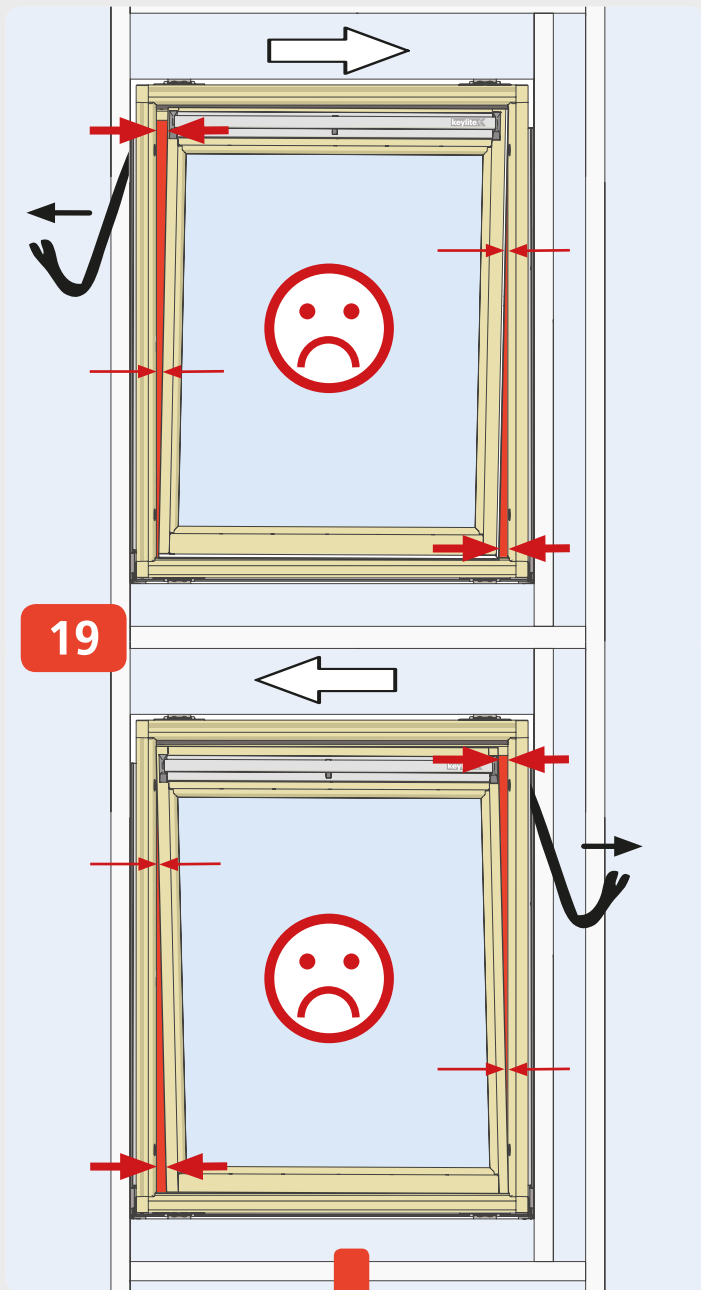
16

17

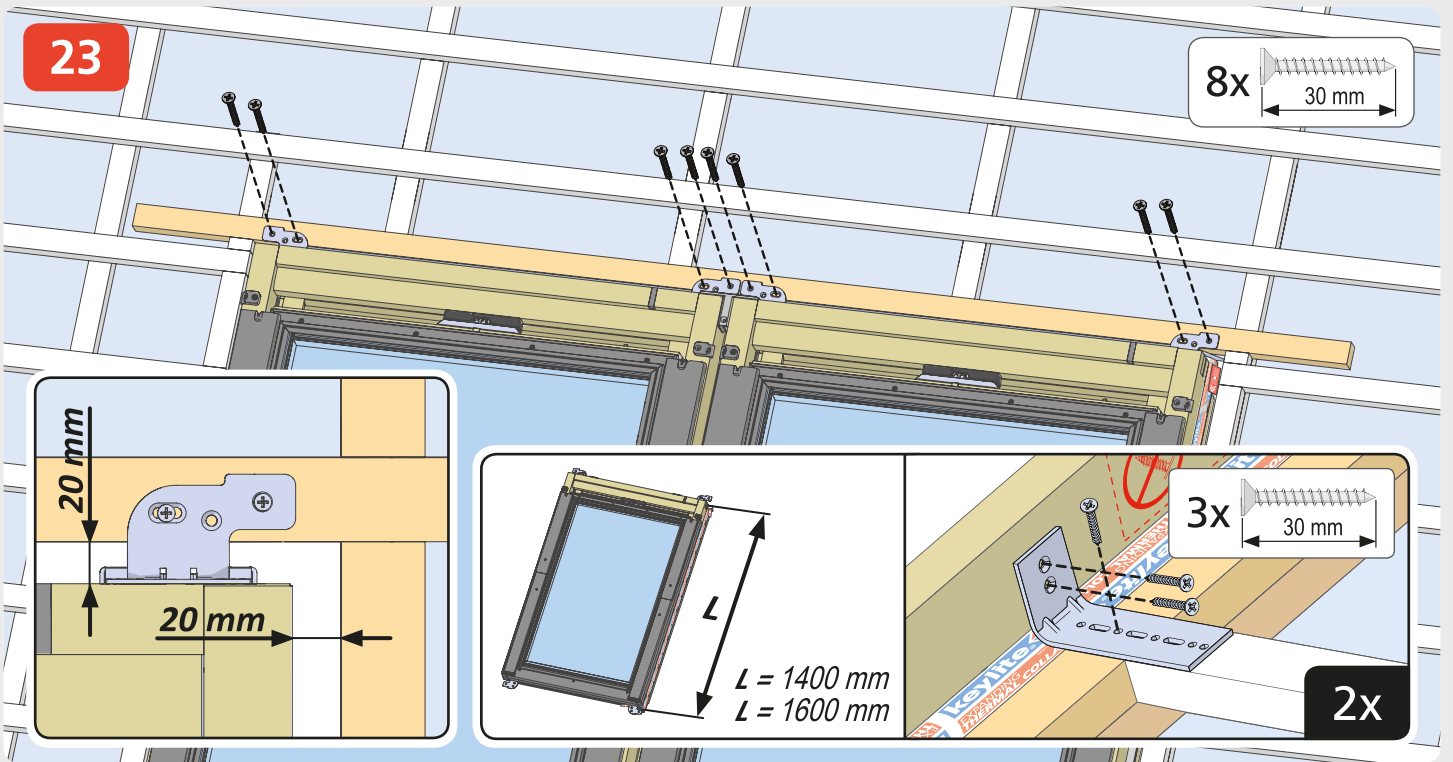


18

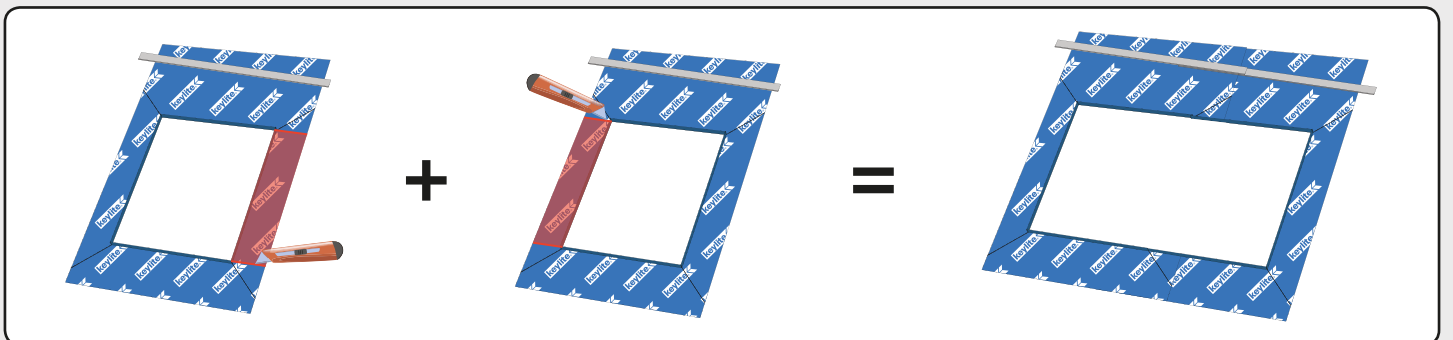
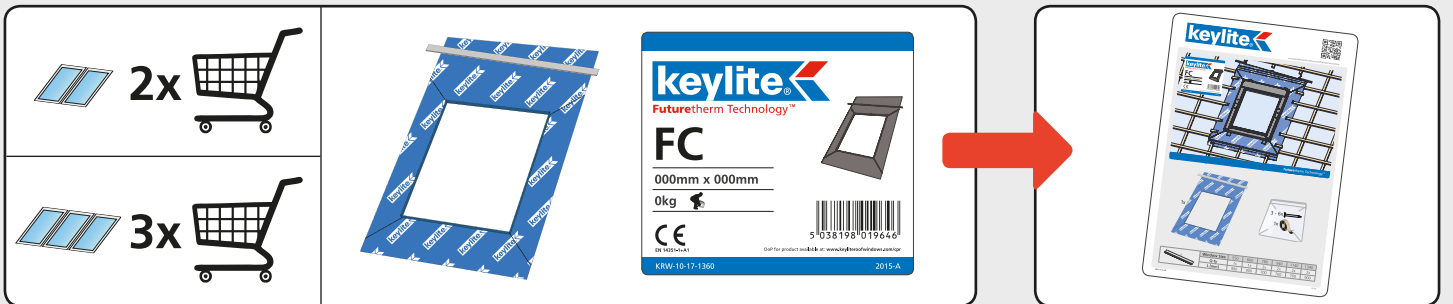
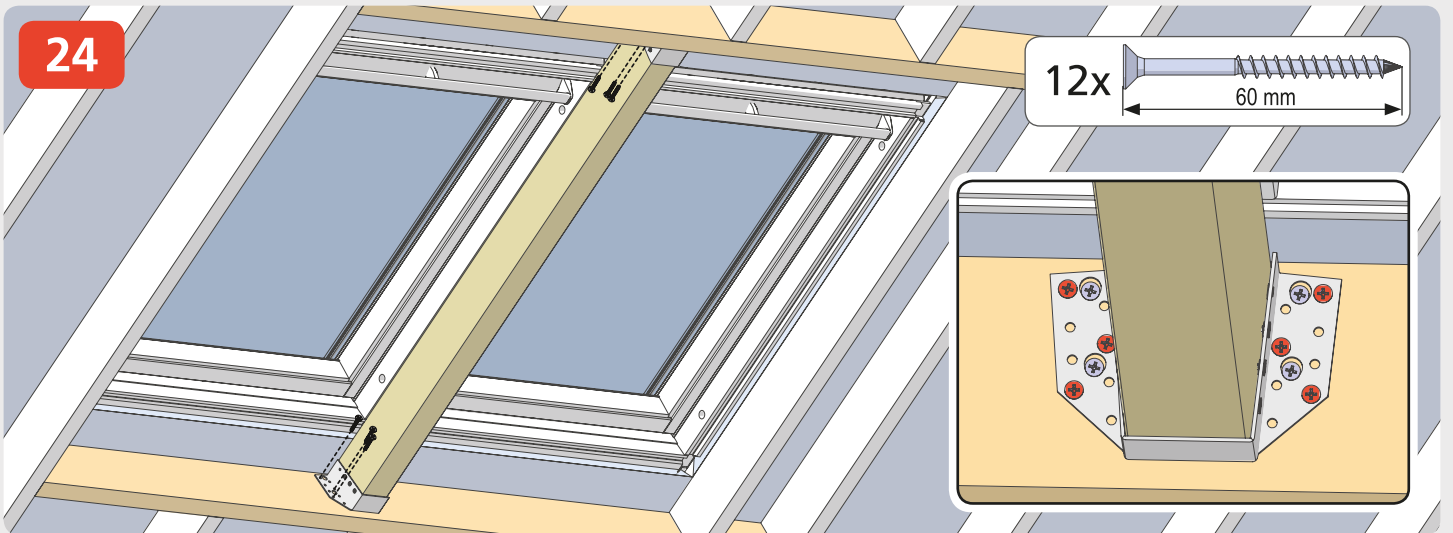


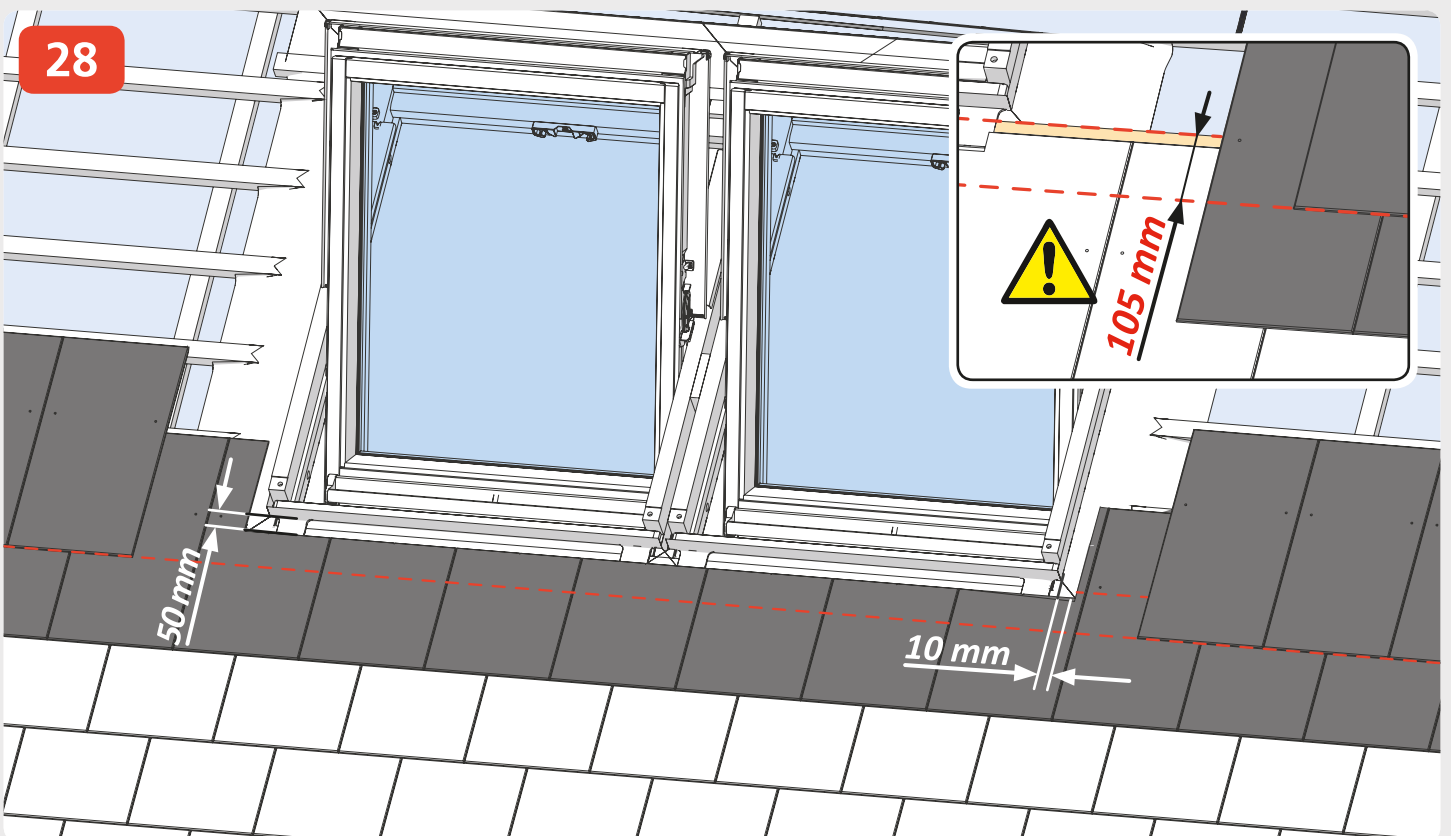
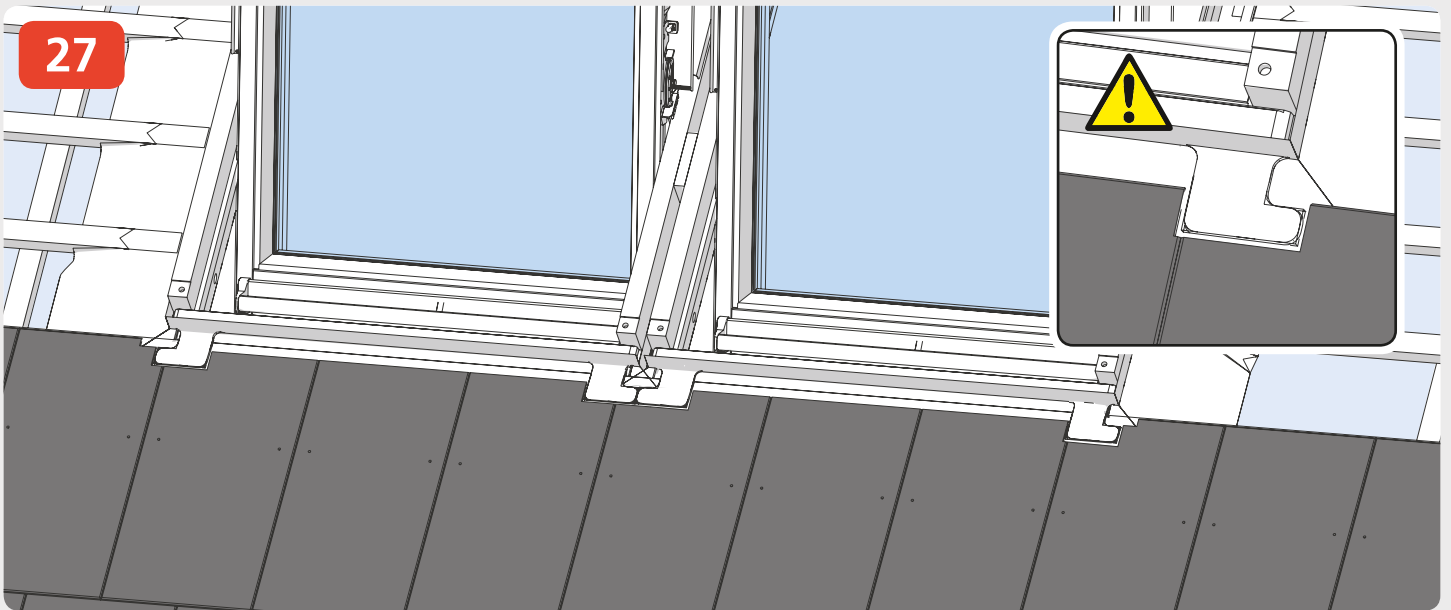
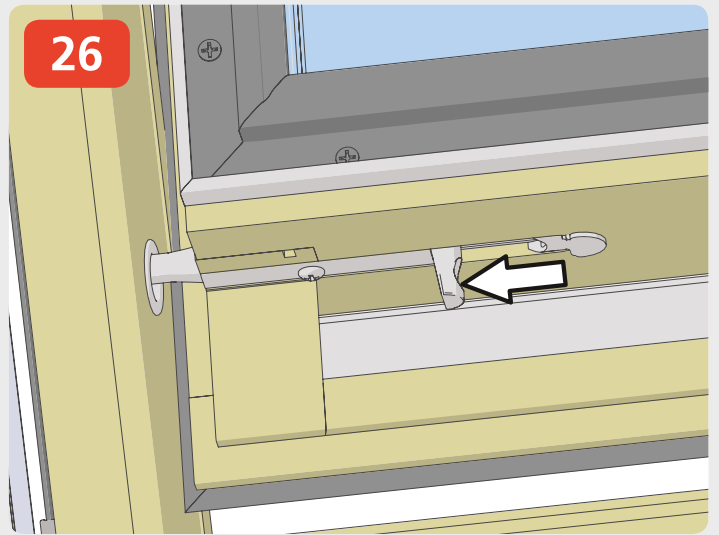
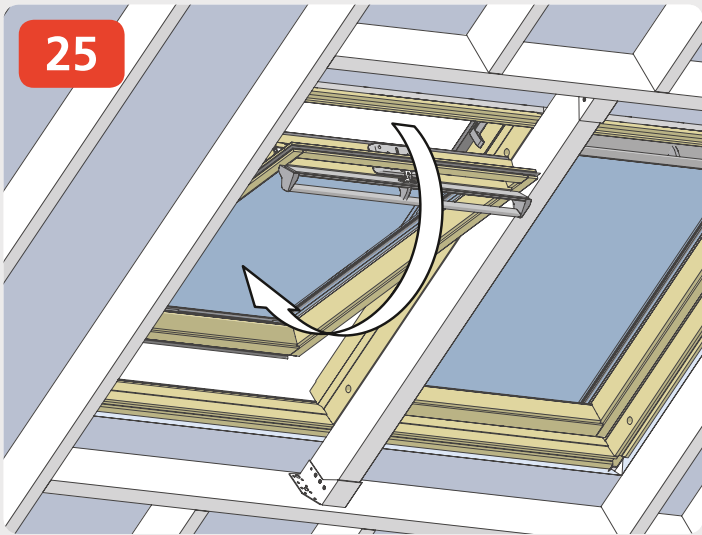


23

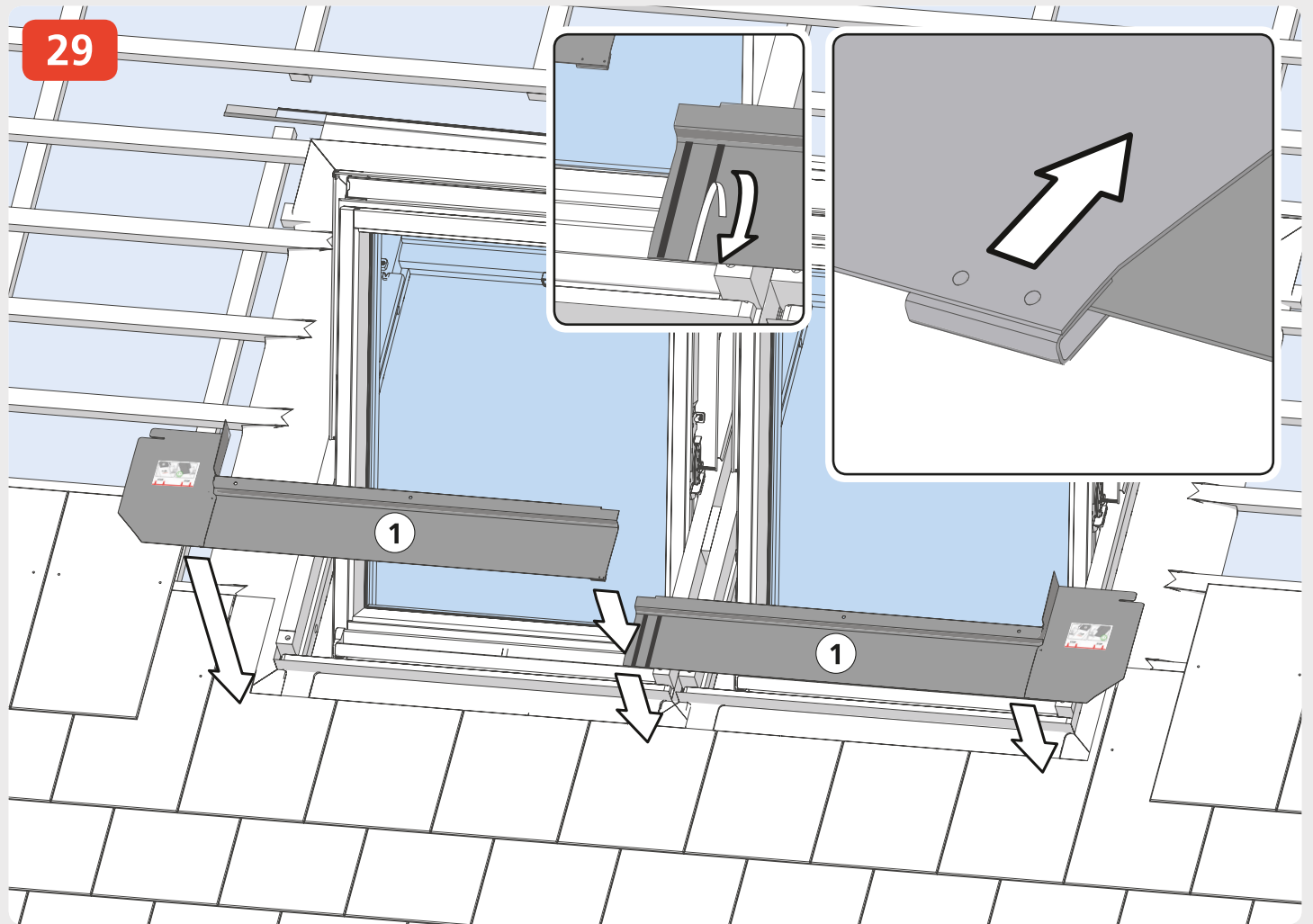


24

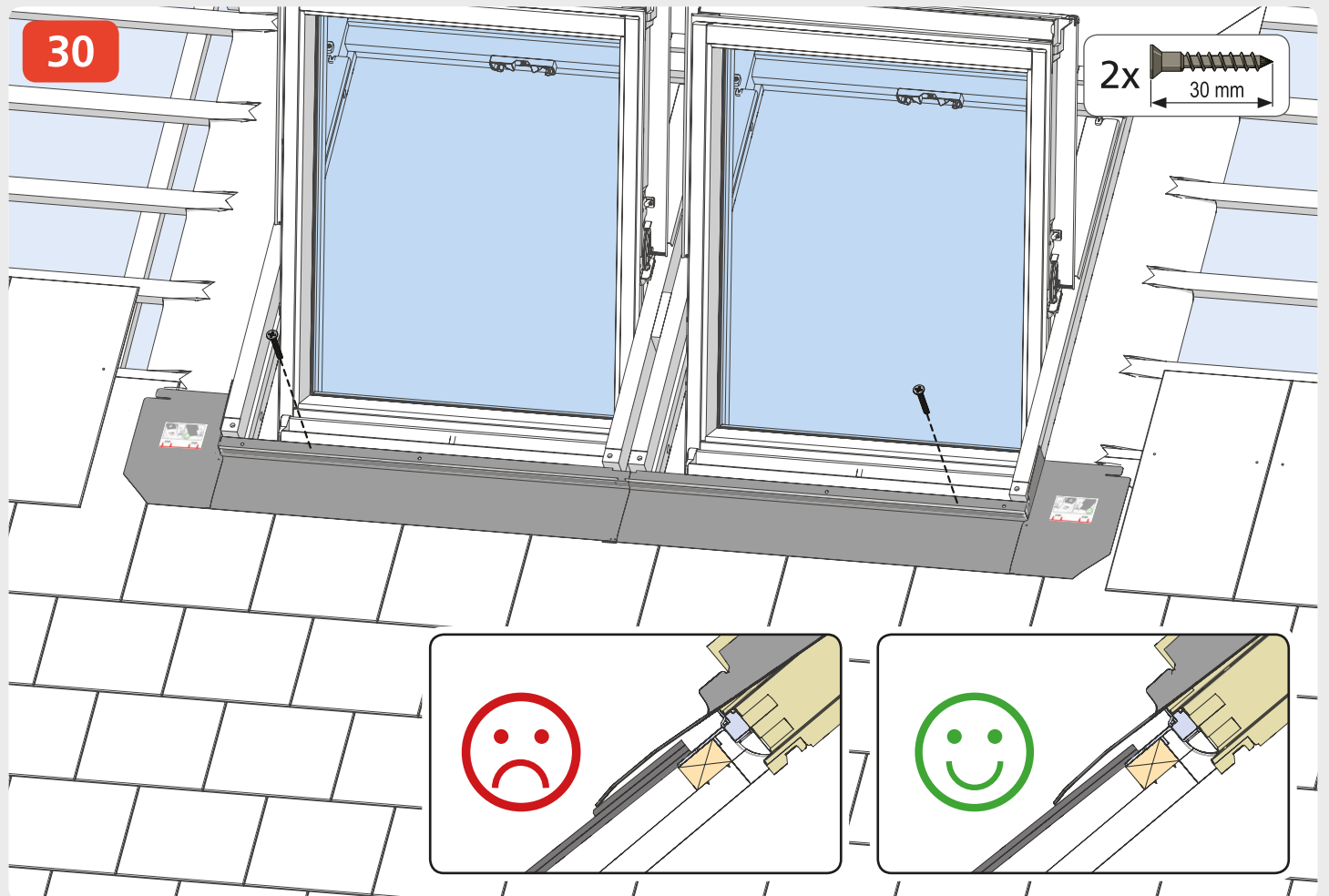




29

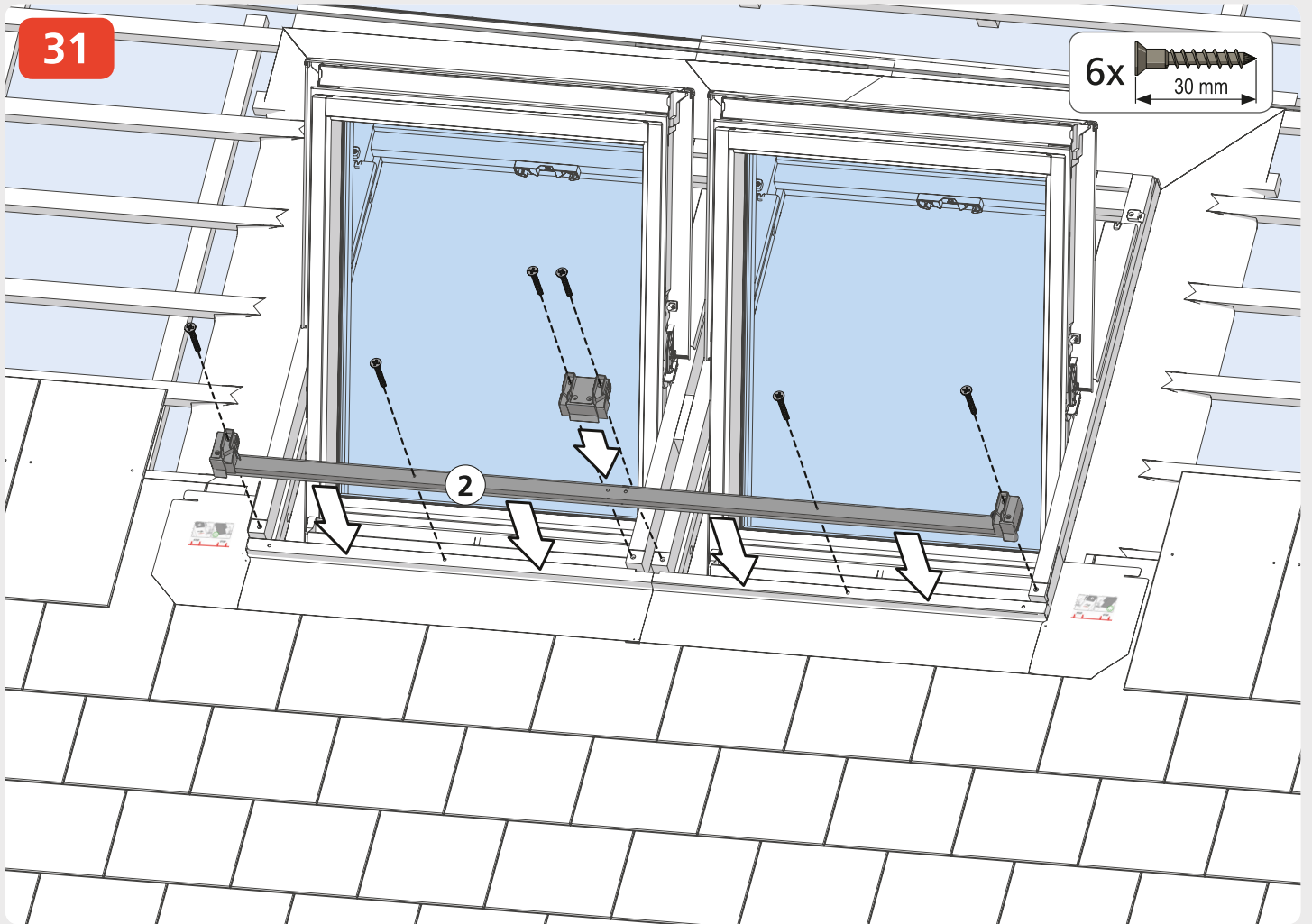


30



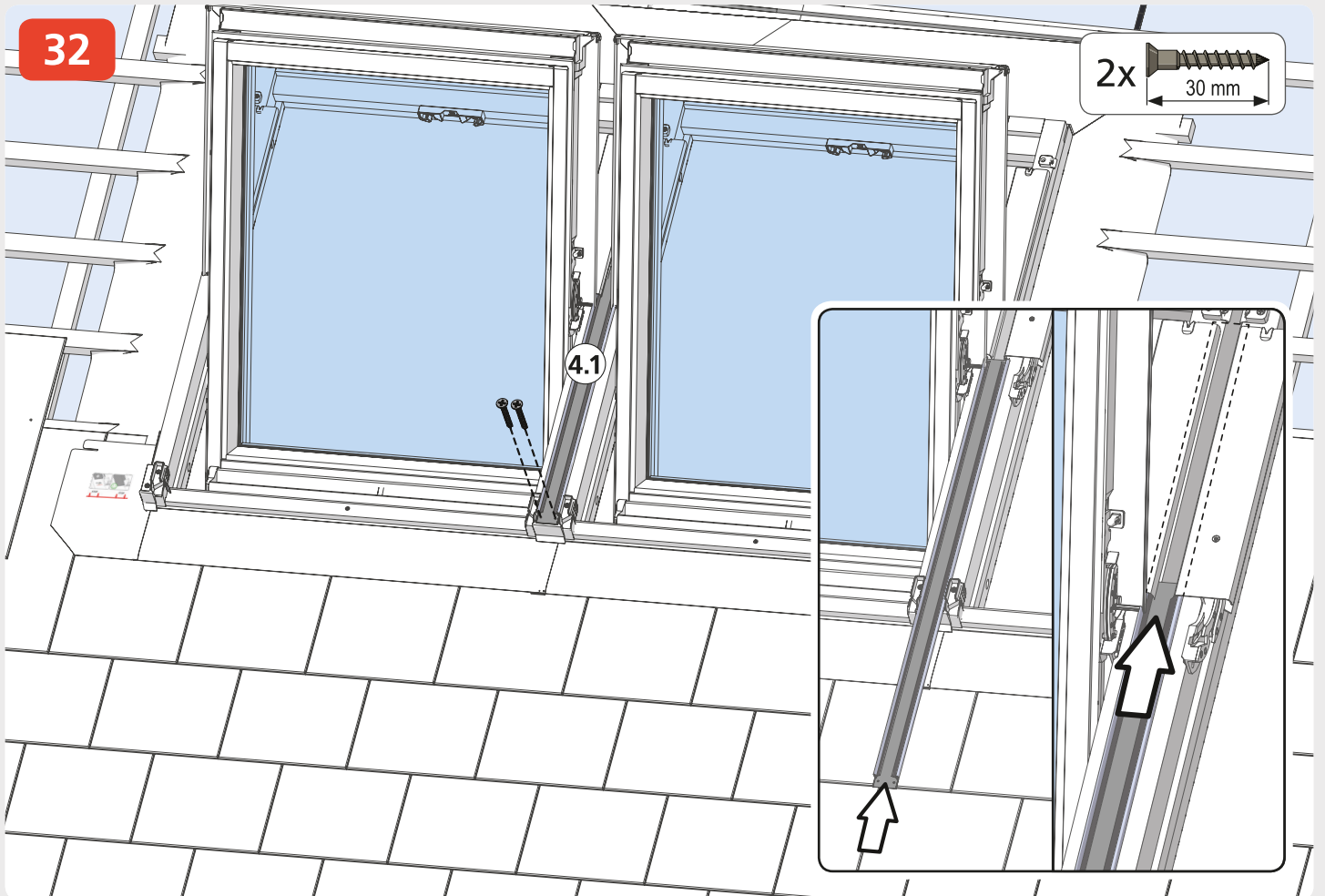
31

6x  30 mm



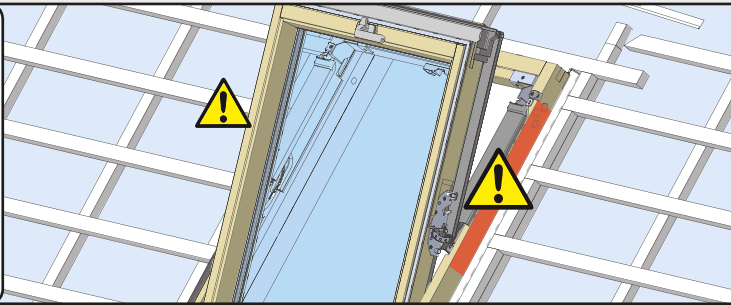
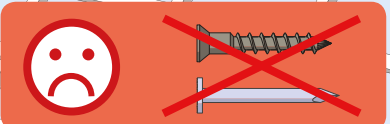
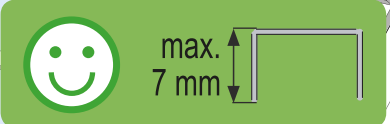
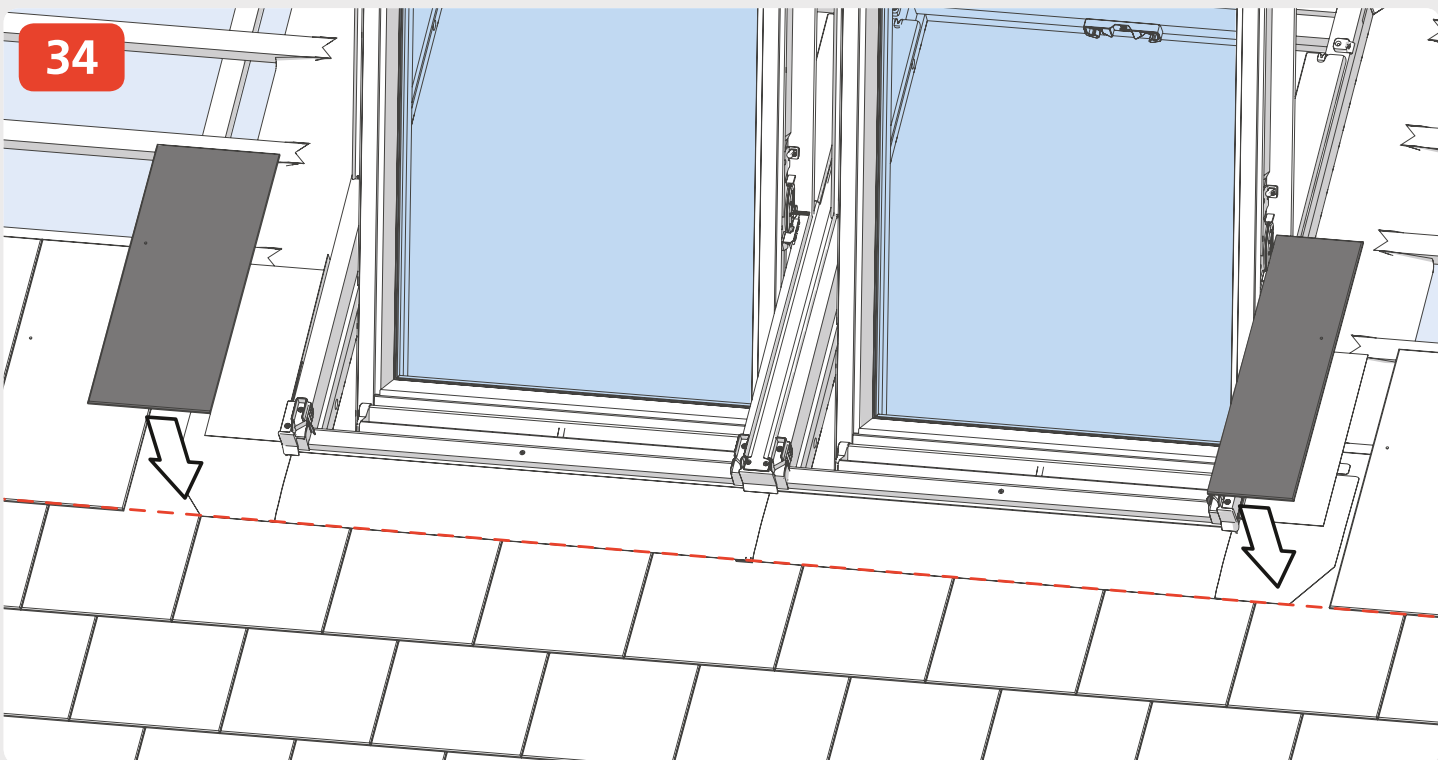
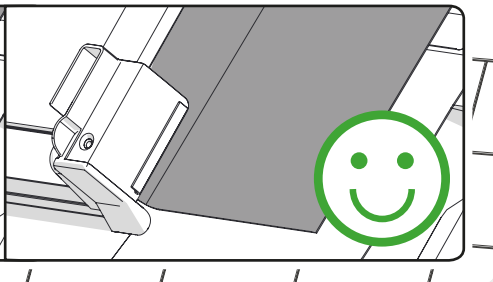
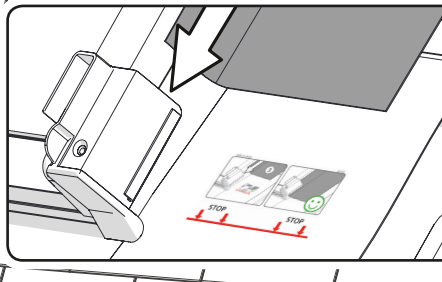
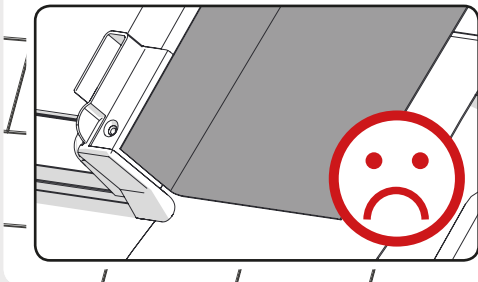
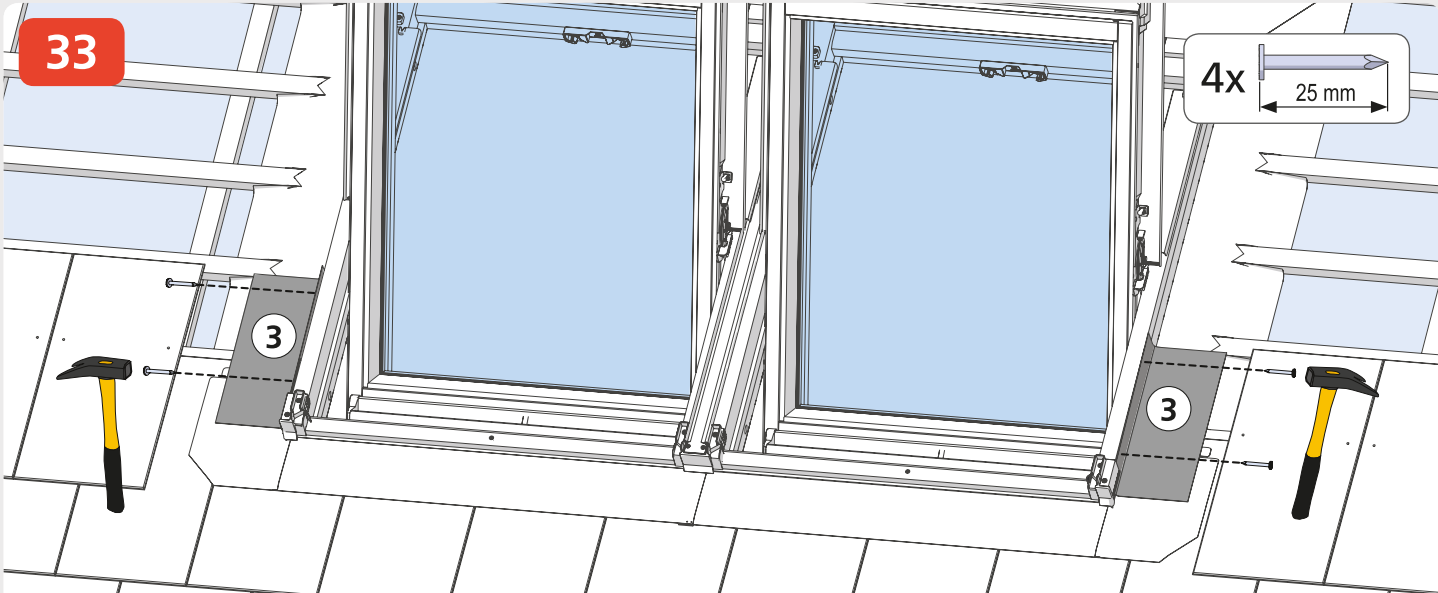
32

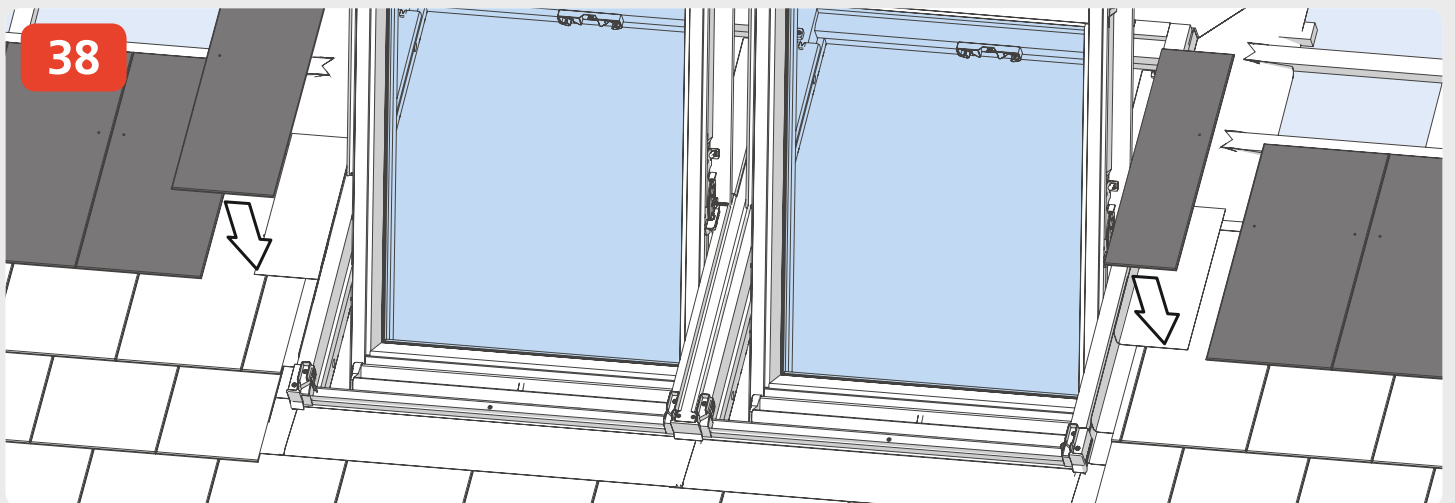
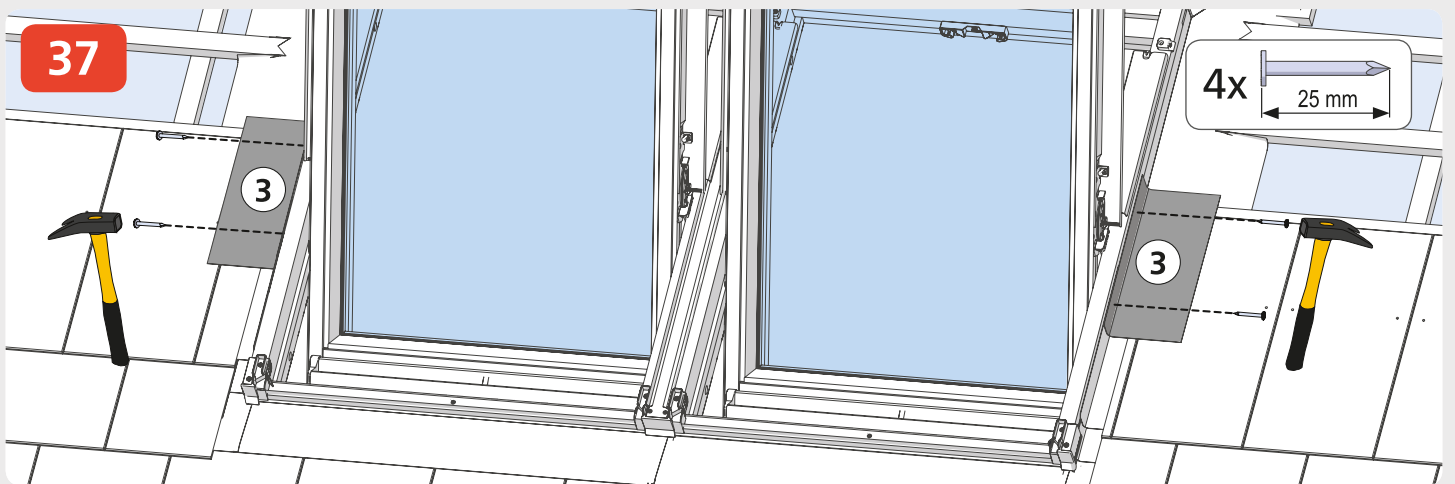
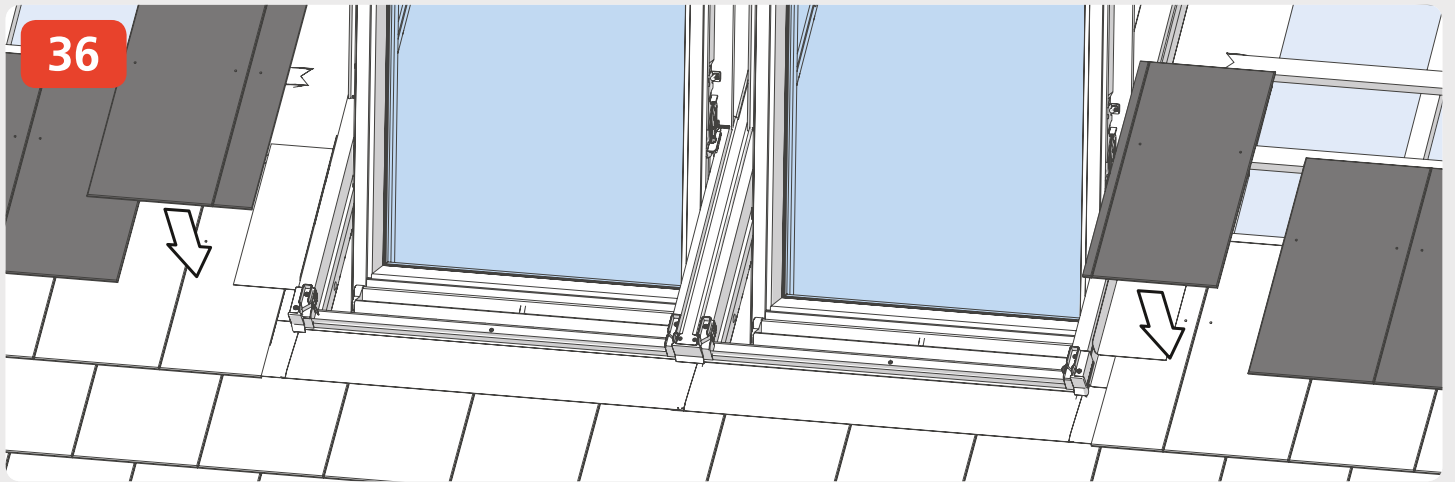
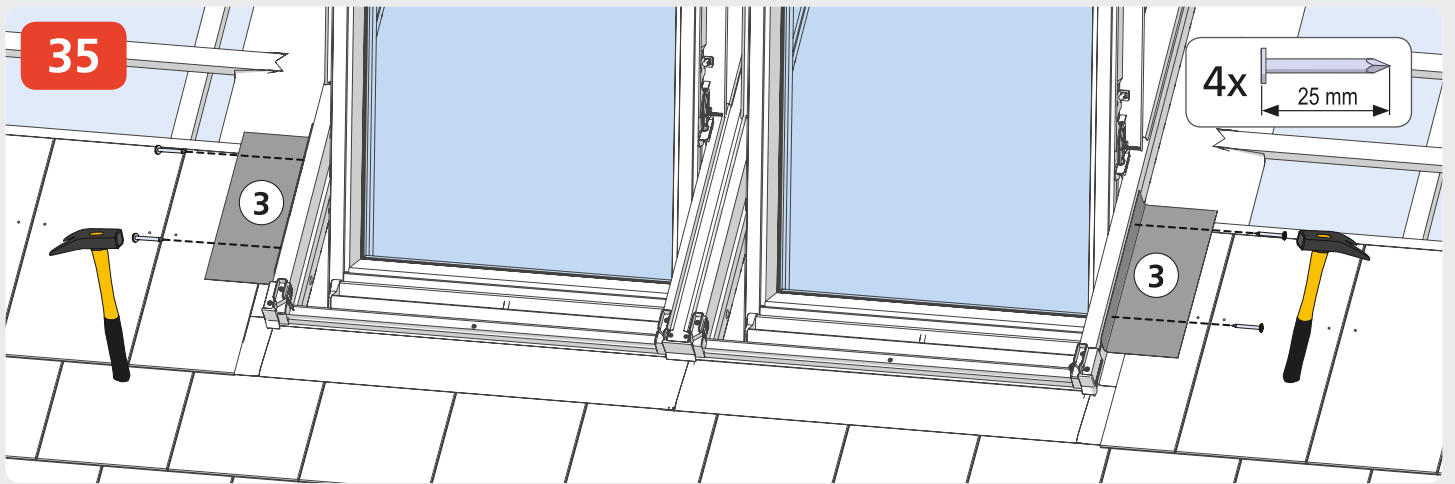
2x  30 mm

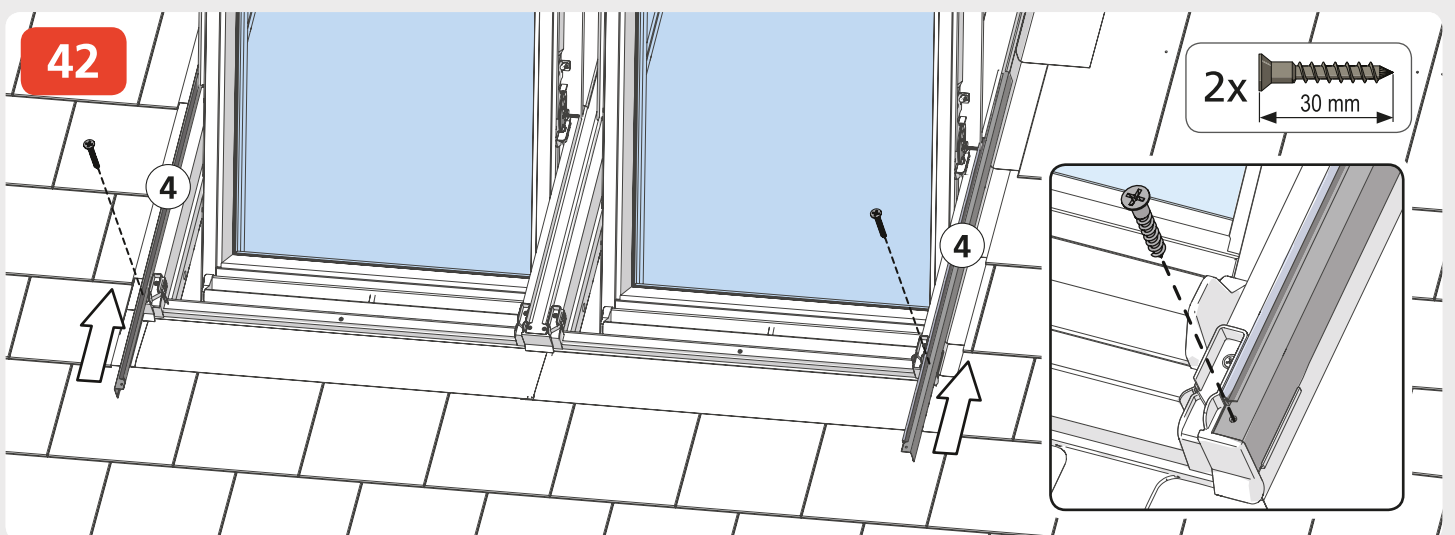
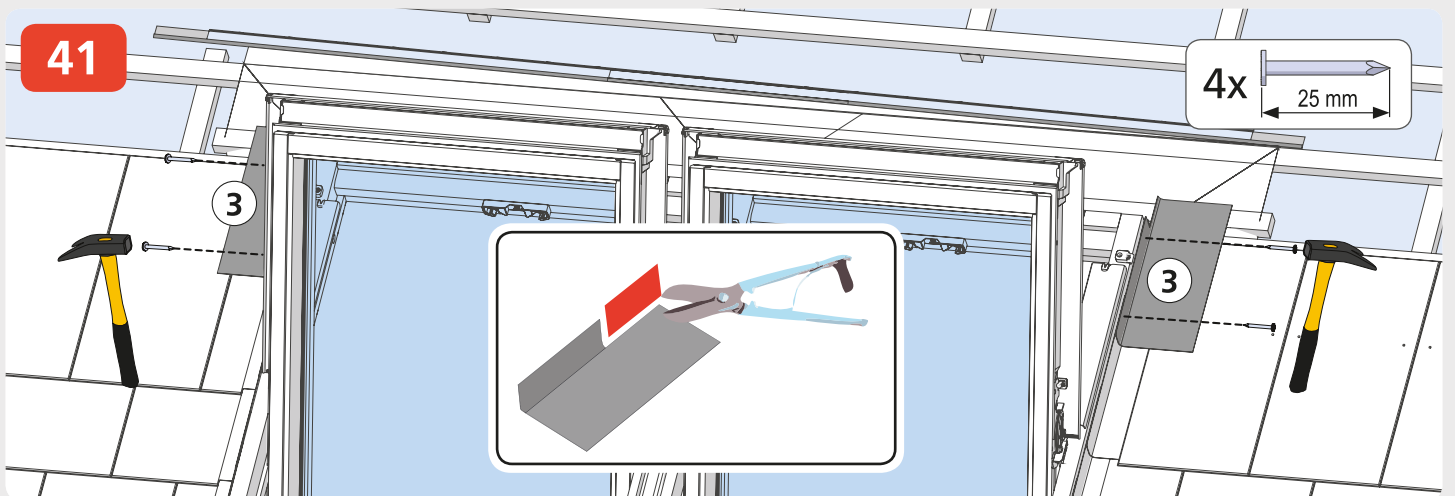
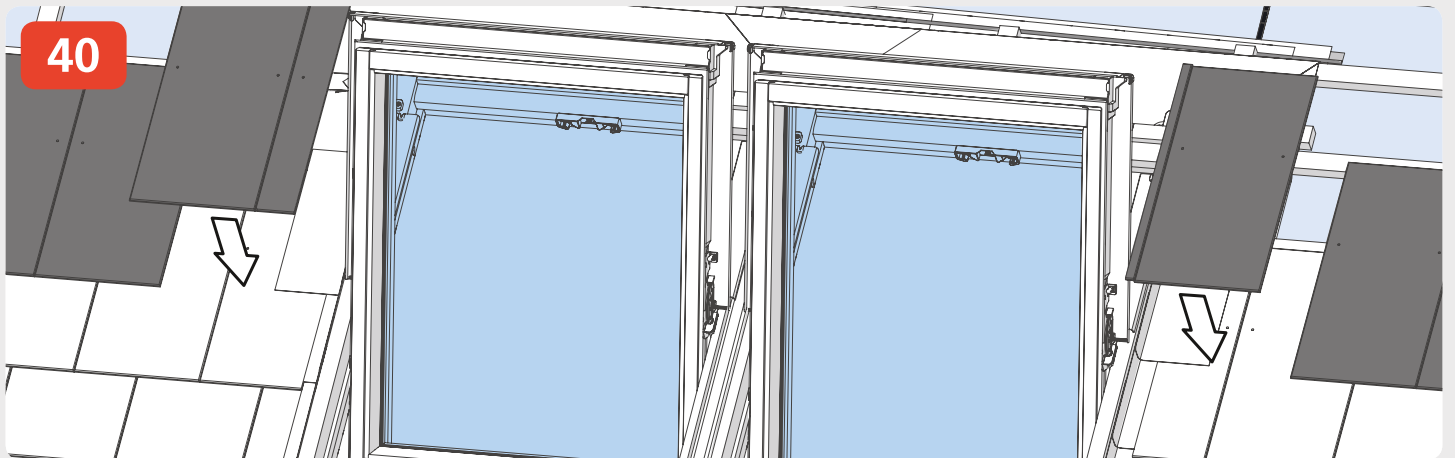
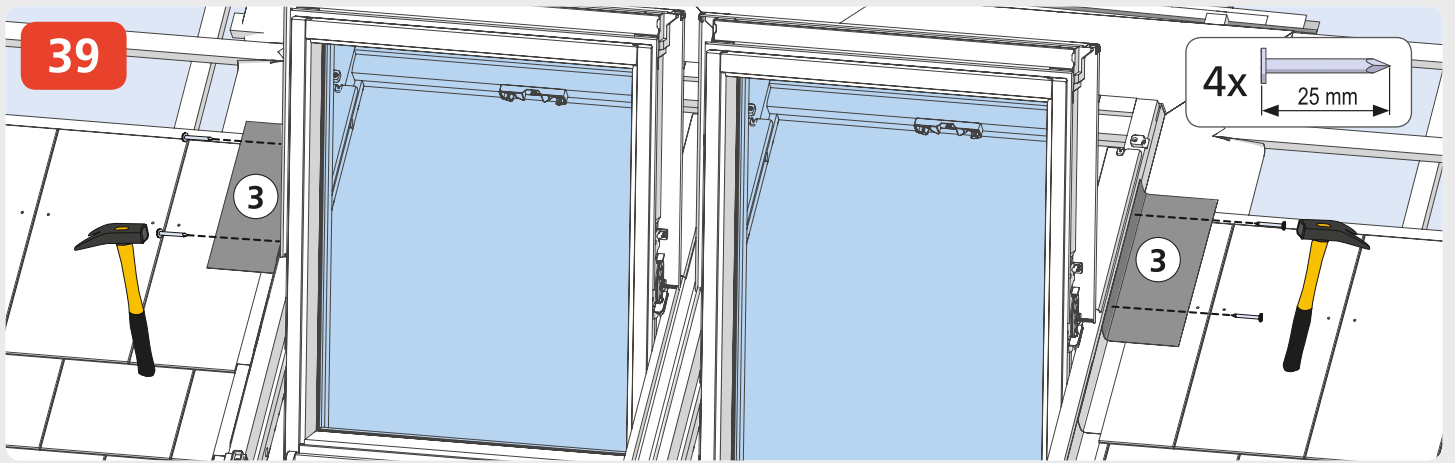


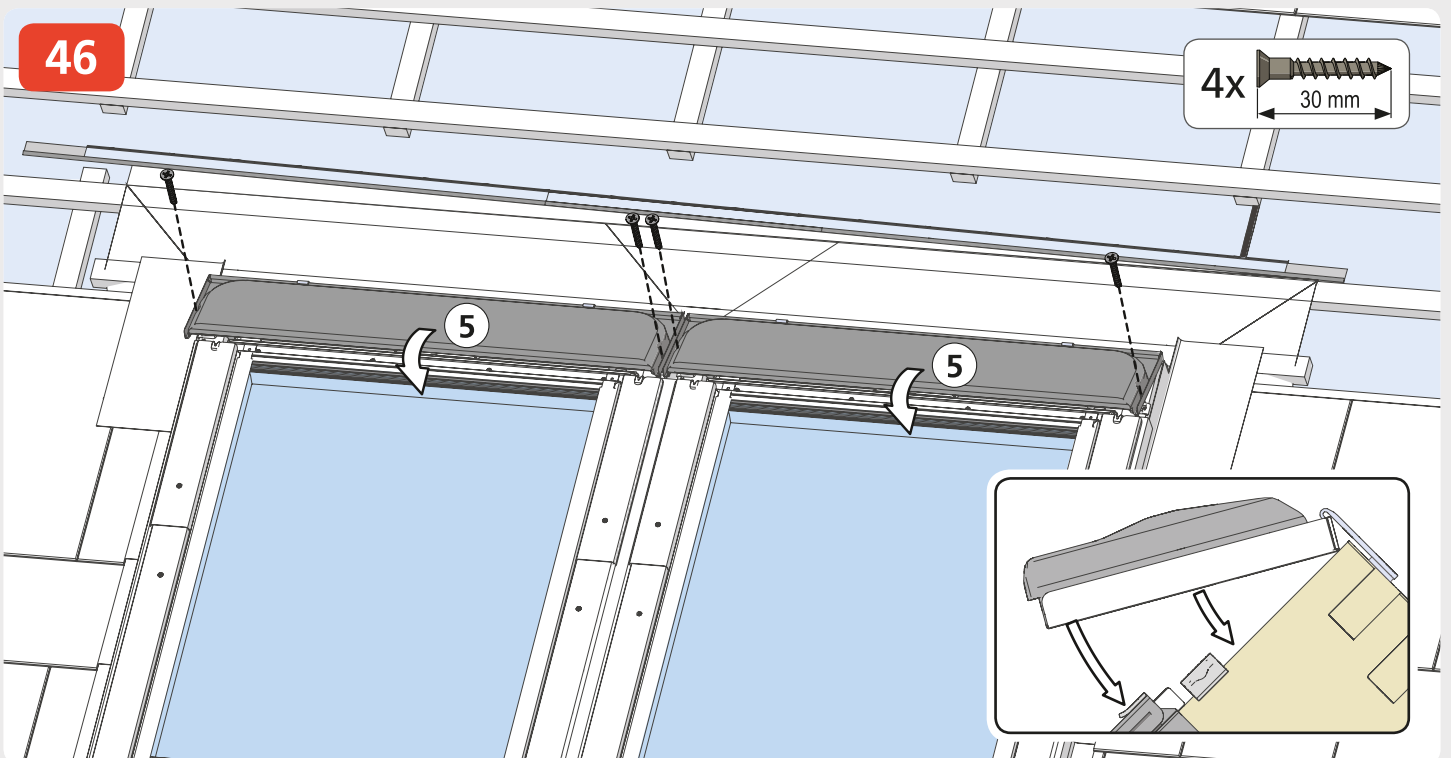
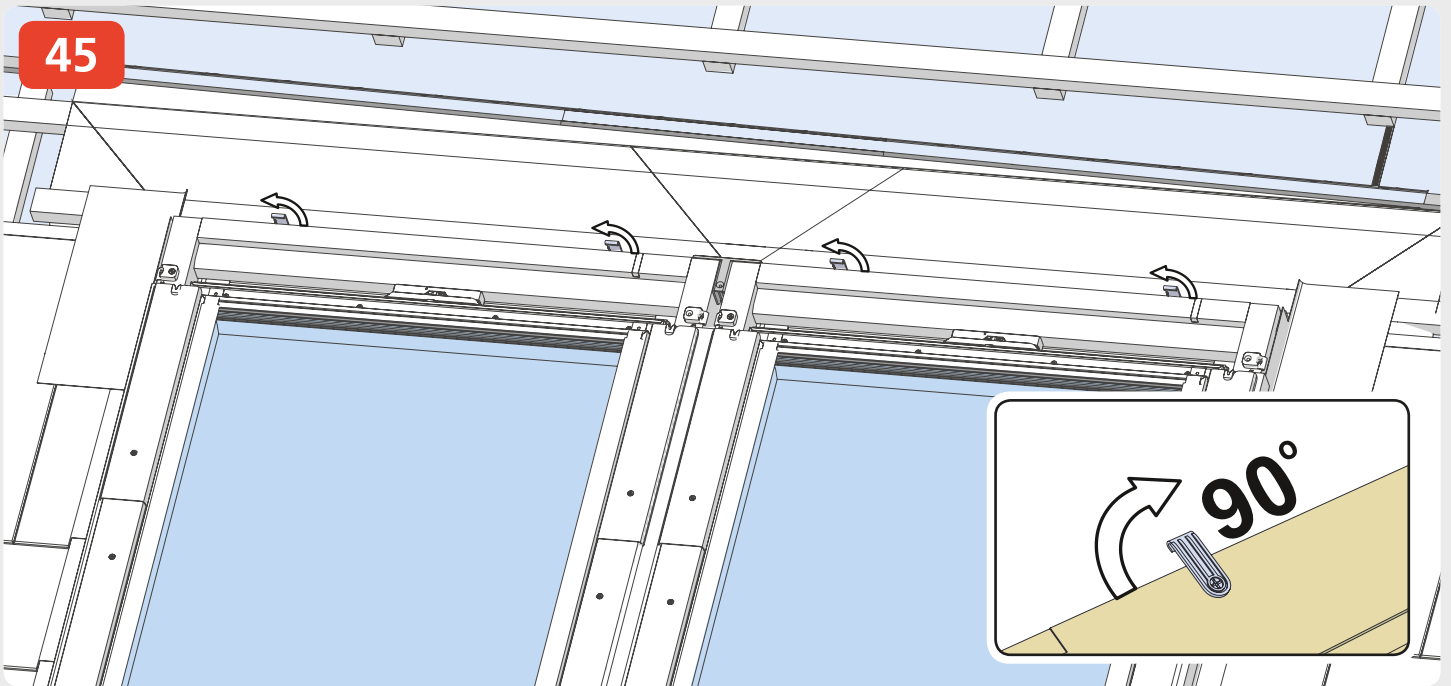
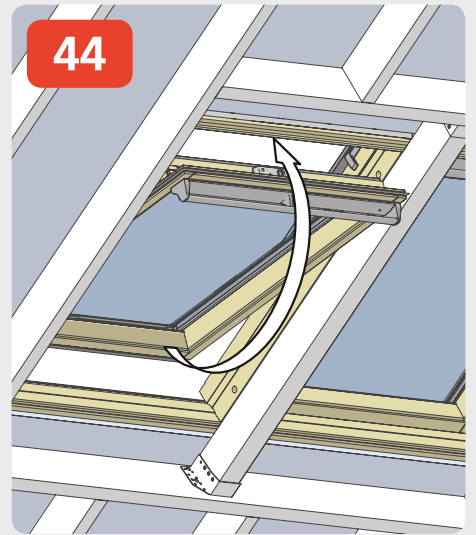
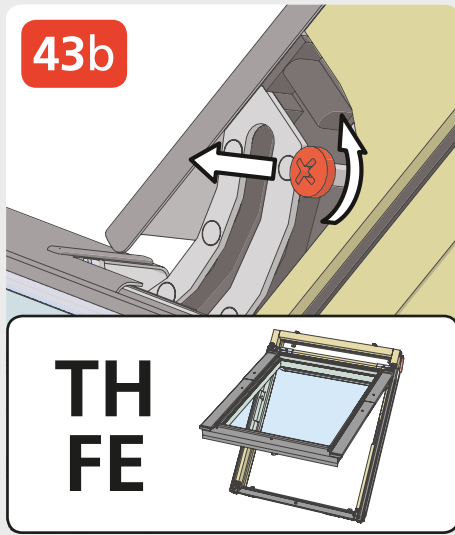
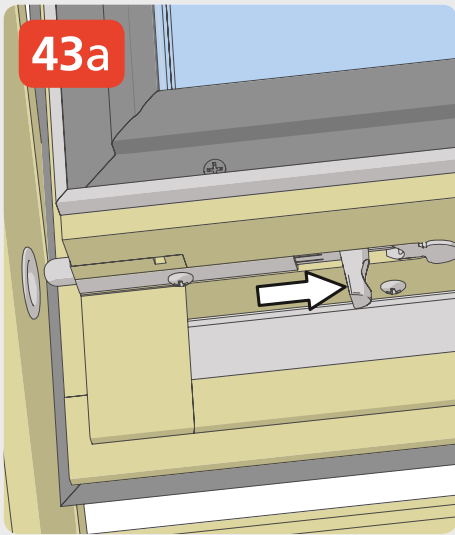


TH/FE

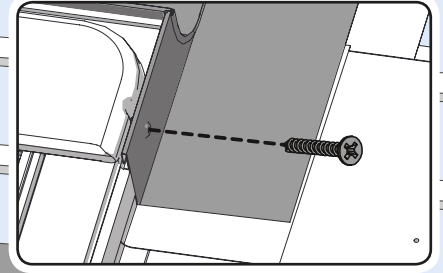




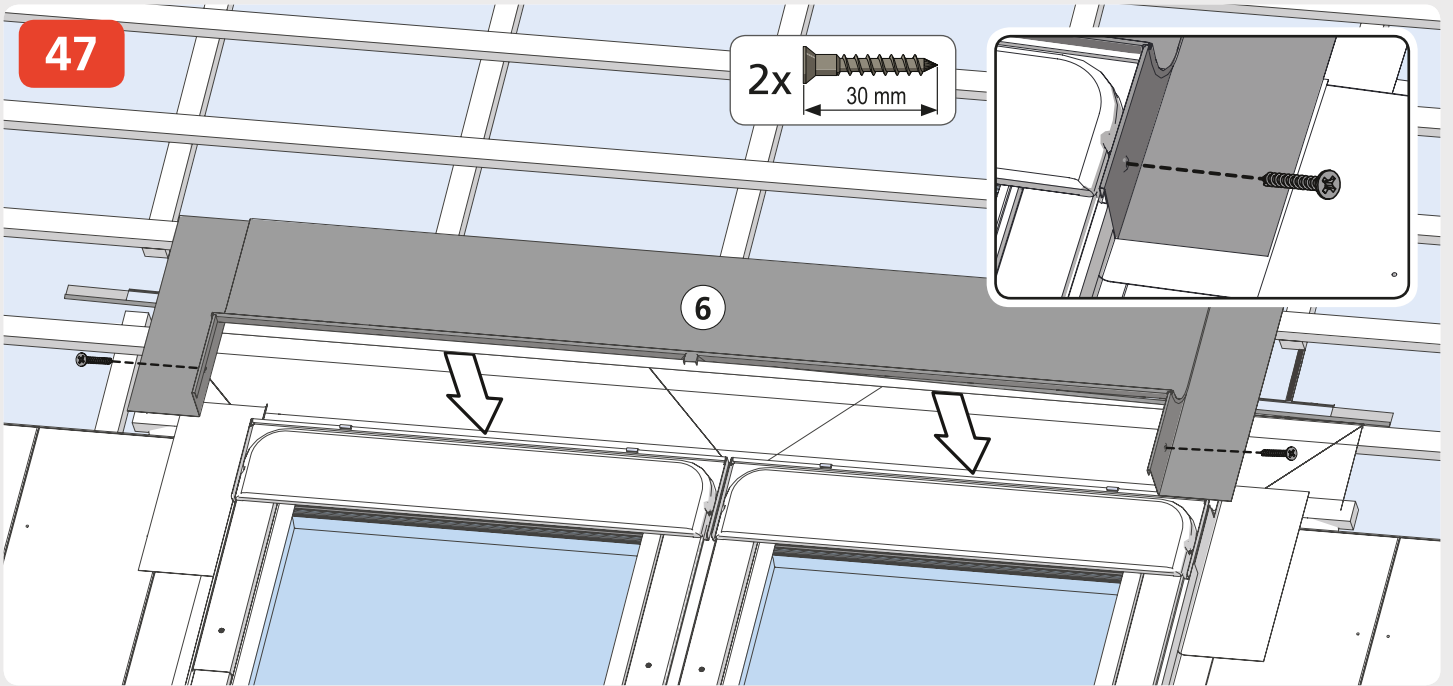


47

2x 30 mm

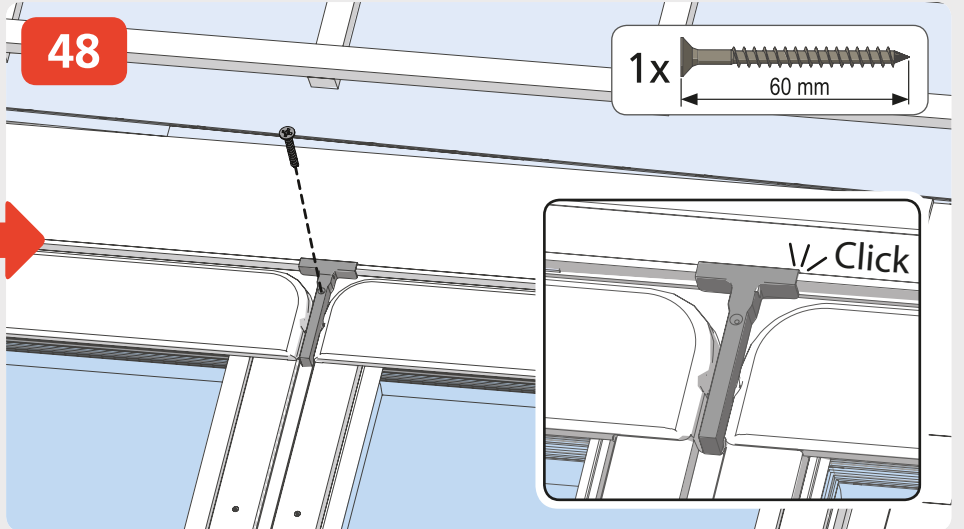
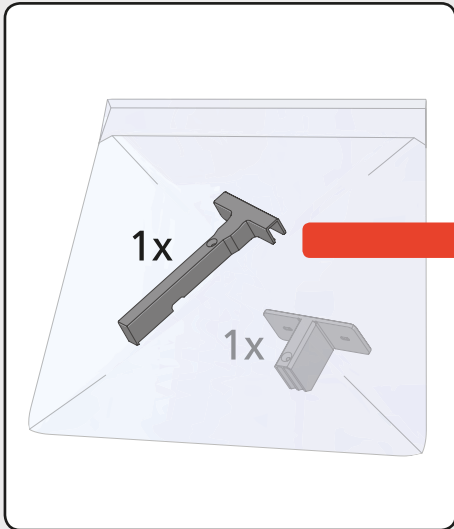


6



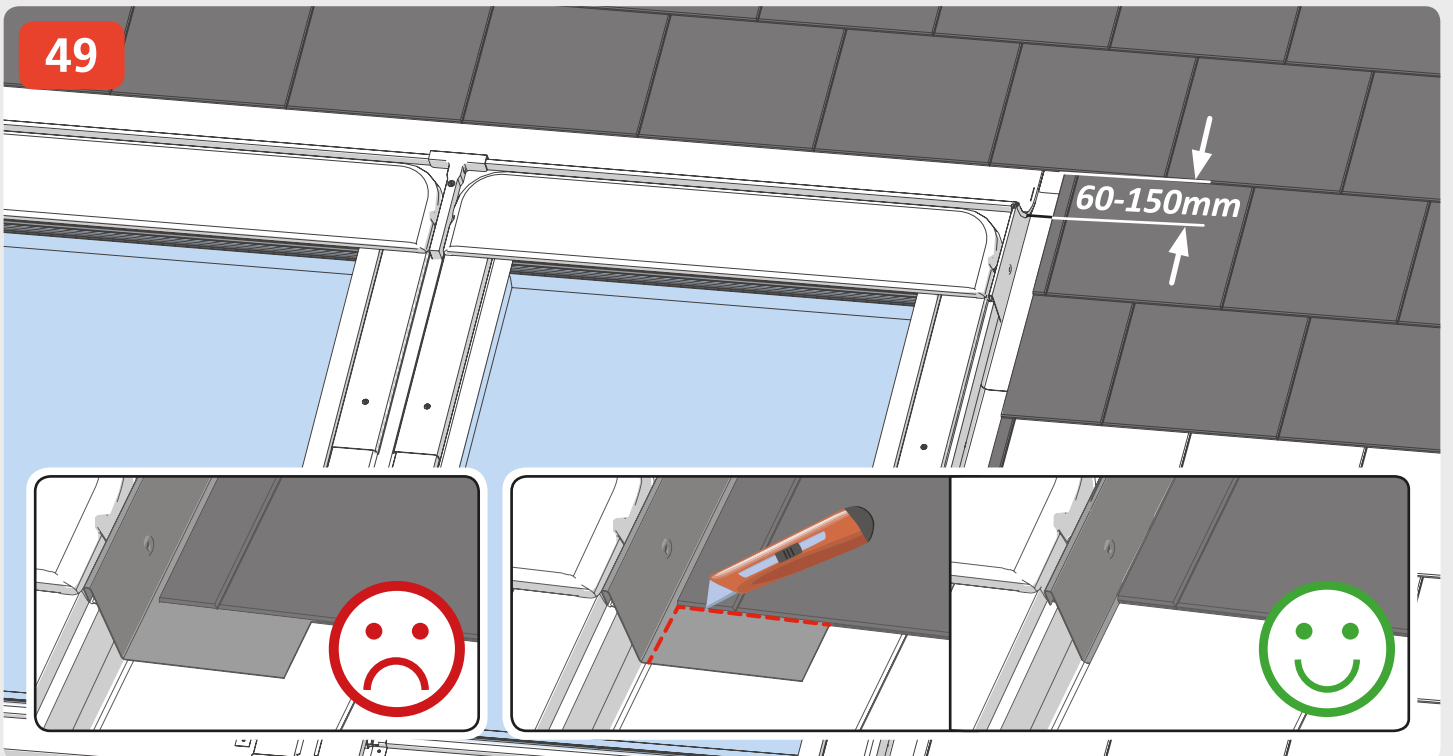
48

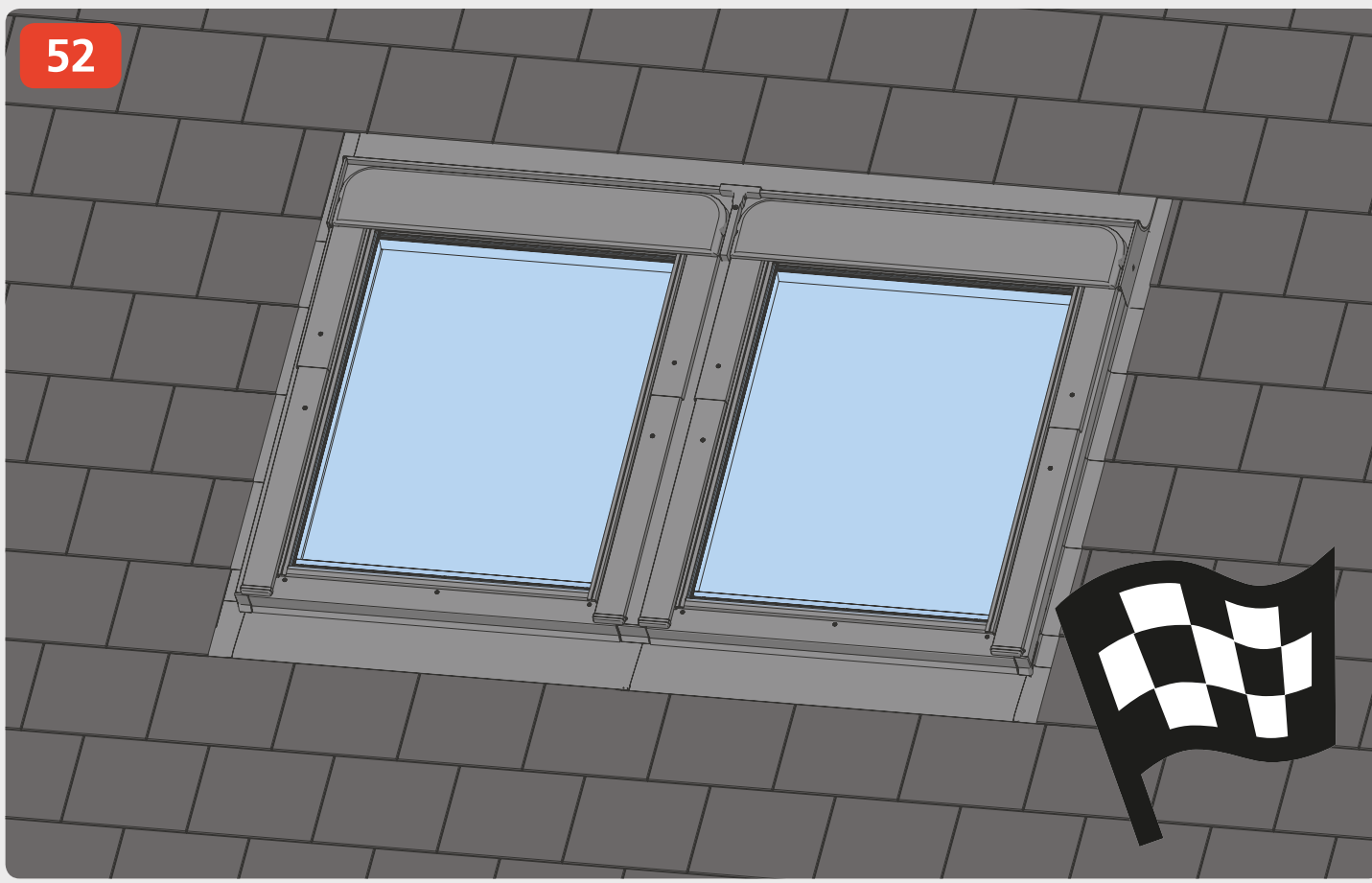
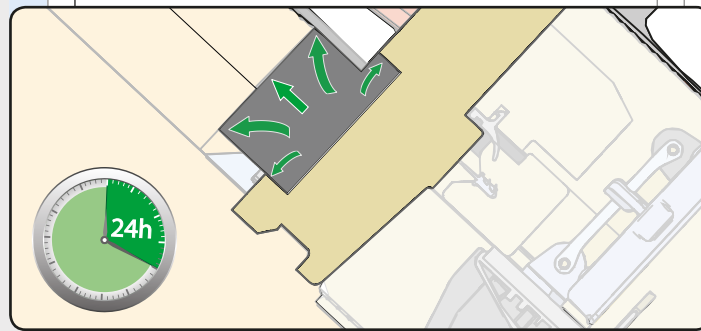
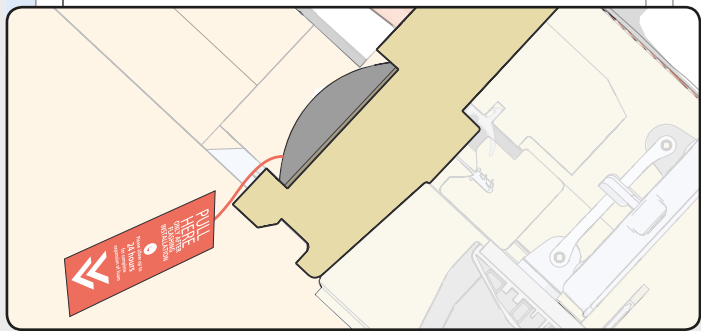
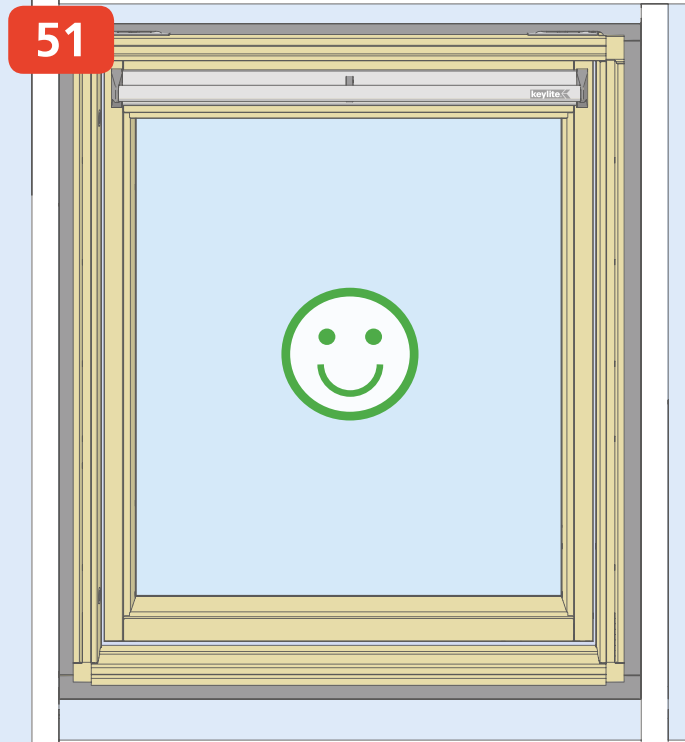
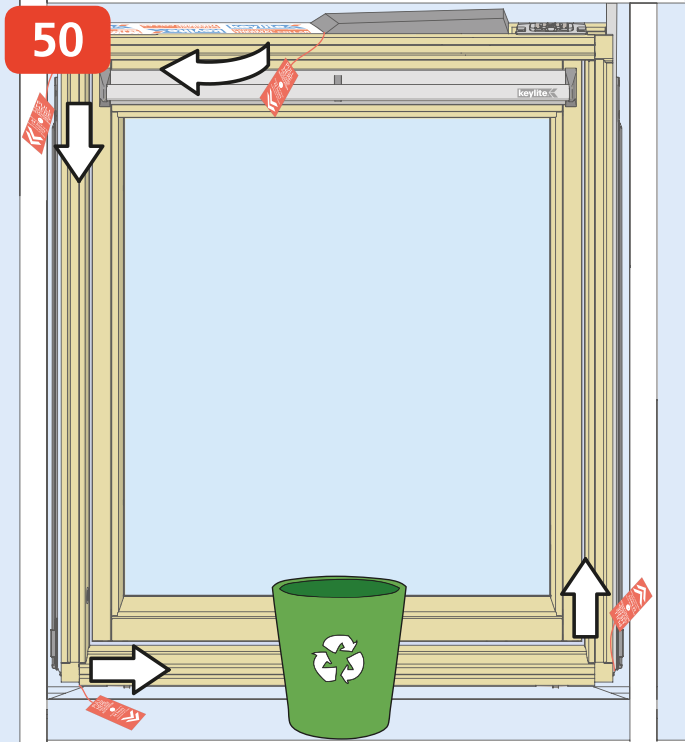
1x 60 mm



49

60-150mm







www.keyliteroofwindows.com